



ZE1201-N_4-75

ELONGATED BARREL FITTING 38 [965] EZCARRY® ADJUSTABLE HORIZONTAL HIGH PERFORMANCE SIPHON JET NO-HUB WATER CLOSET CARRIER SYSTEM W/ 2 [51] NO-HUB AUXILIARY INLET

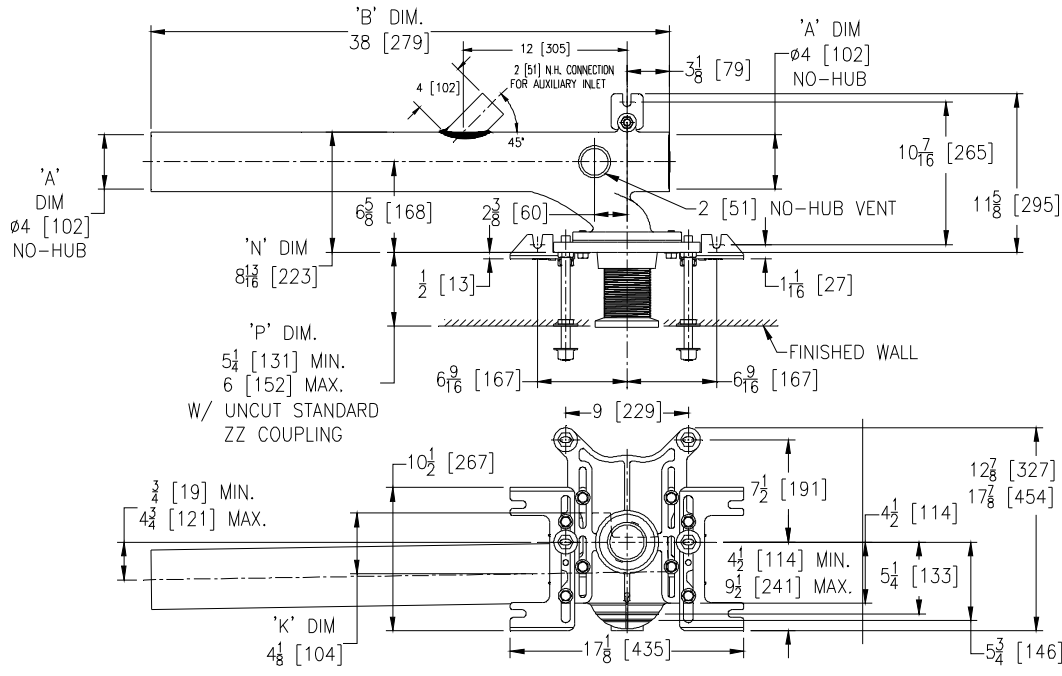
SPECIFICATION SHEET

TAG _____

Dimensional Data (inches and [mm]) are Subject to Manufacturing Tolerances and Change Without Notice

**PATENT
PENDING**

ZE1201-NR4-75 Illustrated



Product Number	Approx. Wt. lbs [kg]
ZE1201-NL4-75	89 [40]
ZE1201-NR4-75	

Note:

1. Cut ZZ Coupling, Min. 'P' Dim. Obtainable = 2 [51]
Cut ZQ Coupling, Min. 'P' Dim. Obtainable = 5 [127]
2. Feet bolted to floor using min. 1/2 [13] dia. anchors.
3. Rear anchor foot required for secure installation.

ENGINEERING SPECIFICATION: ZURN ZE1201-N_4-75

EZCarry® horizontal siphon jet water closet carrier system, with high performance Dura-Coated cast iron main fitting with hydro-mechanically optimized sweep, 4" [102 mm] no-hub connections, 38" [965 mm] barrel for stall to stall direct connection, and extended 2" [51 mm] vent. Corrosion resistant, adjustable 3" [76 mm] dia. X 6" [152 mm] coupling with integral test cap, designed to increase flow velocity and line carry, and labor saving "Neo-Seal" bonded gasket optimizes flow performance while reducing installation steps. Complete system includes an adjustable, gasketed faceplate; 2 [51] auxiliary inlet, universal floor mounted foot supports; heavy-duty 1/2" [13 mm] rear anchor tie down; fixture bolts, trim, and stud protectors. EZCarry® narrow wall system complies with all applicable requirements of ASME A112.6.1M up to a 500 lbs [227 kg] maximum static load.

OPTIONS (Check/specify appropriate options)

- ___ ZE1201-NL4-75 4 [102] No-Hub Elongated Left Hand Inlet with Flow to Right
- ___ ZE1201-NR4-75 4 [102] No-Hub Elongated Right Hand Inlet with Flow to Left

PREFIXES

- ___ ZE D.C.C.I. System with Zurn ZZ Adjustable Coupling*
- ___ ZQE D.C.C.I. System with NPT Faceplate, Non-Adjustable Coupling

SUFFIXES

- ___ -A Auxiliary Support Assembly (For 'P' Dim. Greater than 18 [457])
- ___ -CC Corrosion Resistant Cast Iron Coupling (2-1/4 to 12 [57 to 305])
- ___ -CE EZ-Set™ Coupling (Available 6 [152] , 12 [305] or longer when specified. Minimum length = 5 [127])
- ___ -CL Custom Length Standard Coupling with Integral Test Cap (Specify Length 4, 8, 10, 12 [102, 203, 254, 305])
- ___ -CS 2-1/4 [57] Polymer Coupling with Integral Test Cap (ZZ Coupling Only)
- ___ -F Floor Mounted, Back Outlet Fixture Support
- ___ -G Galvanized Cast Iron
- ___ -M Auxiliary Foot Support (for 'P' Dim. 10 thru 18 [254 thru 457])
- ___ -RYK Unistrut Pre-Fab Foot Support
- ___ -RYK17 One Piece Unistrut Pre-Fab Foot
- ___ -VP Vandal-Proof Trim
- ___ -45 Finishing Frame for Siphon Jet System
- ___ -50 Flush Valve Supply Support for Water Closets

* Regularly furnished unless otherwise specified.