



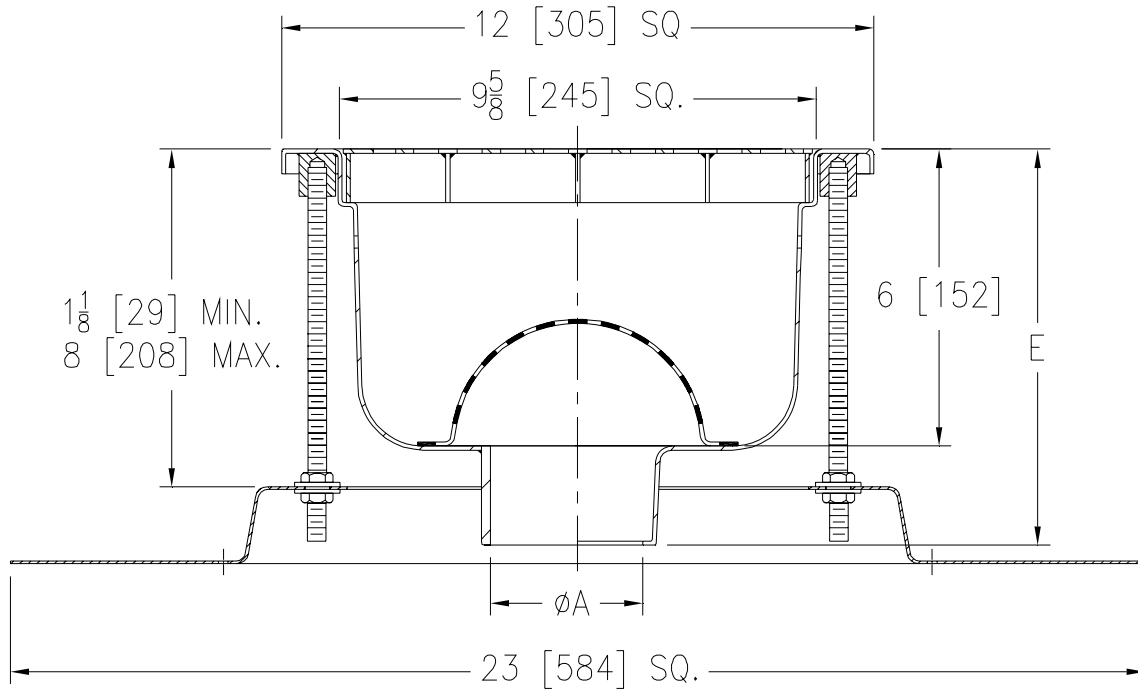
Z1750-146

12 X 12 [305 x 305] SANI-FLOR RECEPTOR 6 [152] SUMP DEPTH W/ ADJUSTABLE SUPPORT PLATE

SPECIFICATION SHEET

TAG _____

Dimensional Data (inches and [mm]) are Subject to Manufacturing Tolerances and Change Without Notice



A- Pipe Size In.	Approx. Wt. Lbs. [kg]	Grate Open Area Sq. In. [cm ²]
2-3-4 [51-76-102]	18 [8]	23 [148]

ENGINEERING SPECIFICATION: ZURN Z1750-146
12 x 12 x 6 [305 x 305 x 152] deep, 14 gage, All Type 304 (CF8) Stainless Steel light duty Sani-Flor receptor with non-tilt, loose set full grate with 1/2 [13] square openings, anti-splash interior dome strainer and adjustable support plate

OPTIONS (Check/specify appropriate options)

PIPE SIZE

- 2 thru 4 [51 thru 102]
- 2 [51]
- 3 [76]
- 4 [102]
- 2 thru 4 [51 thru 102]
- 2 thru 4 [51 thru 102]

(Specify size/type) **OUTLET**

- ___ IC Inside Caulk
- ___ IP Threaded
- ___ IP Threaded
- ___ IP Threaded
- ___ NH No-Hub
- ___ NL Neo-Loc

'E' BODY HT. DIM.

- 8 9/16 [214]
- 7 5/16 [186]
- 7 9/16 [198]
- 8 1/16 [205]
- 8 1/16 [205]
- 7 13/16 [198]

PREFIXES

- ___ Z Type 304 (CF8) Stainless Steel Body*
- ___ ZM Type 316 (CF8M) Stainless Steel

SUFFIXES

- | | | | |
|----------|---|---------|---|
| ___ -HP | Heel-Proof Grate | ___ -5 | Grate w/ 4 [102] Dia. x 3 3/4 [95] High Funnel |
| ___ -LSH | (Less) Seepage Holes | ___ -8 | Grate w/ 8 3/8 x 3 5/8 x 3 3/4 [213 x 92 x 95] High Oval Funnel |
| ___ -SG | Solid Gasketed Cover | ___ -15 | Solid Cover |
| ___ -TC | Neo-Loc Test Cap Gasket
(2 - 4 [51 - 102] NL Bottom Outlet Only) | ___ -16 | 1/2 Solid Cover |
| ___ -VP | Vandal-Proof Secured Top | ___ -17 | 3/4 Solid Cover |
| ___ -Y | Sediment Bucket | ___ -18 | Solid Cover w/ 3 [76] Square Center Opening |
| ___ -YS | Suspended Sediment Bucket | ___ -19 | Full Hinged Grate |
| ___ -1 | (Less) Grate | ___ -20 | Full Hinged Solid Cover |
| ___ -2 | 1/2 Grate | | |
| ___ -3 | 3/4 Grate | | |
| ___ -4 | Full Grate w/ 3 [76] Square Opening | | |

*REGULARLY FURNISHED UNLESS OTHERWISE SPECIFIED

REV. DATE: 8/29/07 C.N. NO. 97240

DWG. NO. P-15471 PRODUCT NO. Z1750-146

ZURN INDUSTRIES, LLC ♦ SPECIFICATION DRAINAGE OPERATION ♦ 1801 Pittsburgh Ave. ♦ Erie, PA 16514

Phone: 814455-0921 ♦ Fax: 814454-7929 ♦ World Wide Web: www.zurn.com

In Canada: ZURN INDUSTRIES LIMITED ♦ 3544 Nashua Drive ♦ Mississauga, Ontario L4V1L2 ♦ Phone: 905405-8272 Fax: 905405-1292