



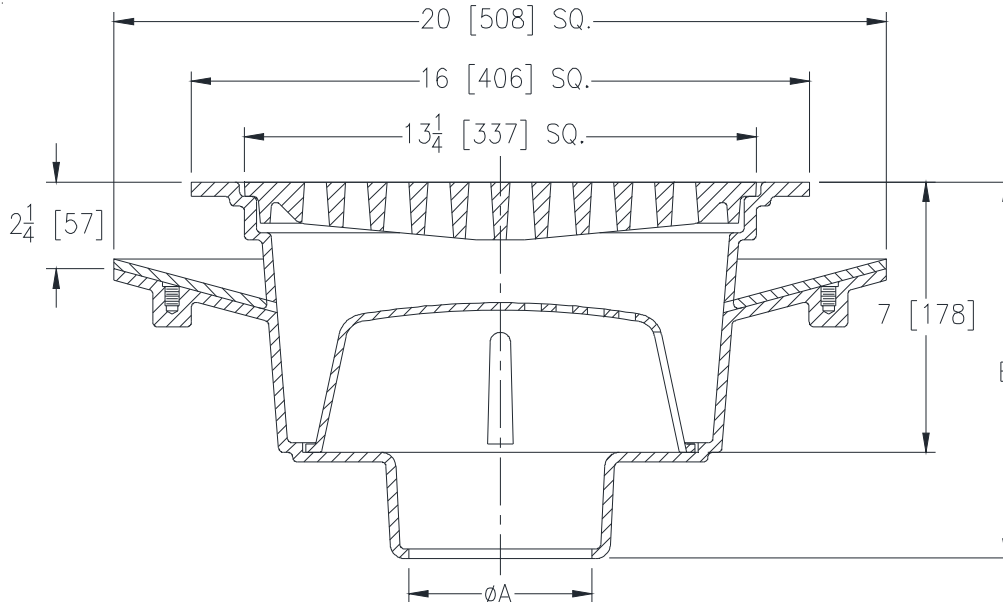
Z1920-KC

16 X 16 [406 X 406] A.R.C. SANI-FLOR RECEPTOR,
7 [178] SUMP DEPTH AND ANCHOR FLANGE WITH
SEEPAGE HOLES AND CLAMP COLLAR

SPECIFICATION SHEET

TAG _____

Dimensional Data (inches and [mm]) are Subject to Manufacturing Tolerances and Change Without Notice



A- Pipe Size In. [mm]	Approx Wt. Lbs. [kg]	Grate Open Area Sq. In. [cm ²]
2,3,4,6,8 [51,76,102,152,203]	83 [38]	54 [348]

ENGINEERING SPECIFICATION: ZURN Z1920-KC

Sani-Flor Receptor 16" x 16" x 7" [406mm x 406mm x 178mm] deep cast iron body with anchor flange with seepage holes and clamp collar, and square slotted heavy duty grate, with white acid resisting epoxy coating interior and top, complete with aluminum anti-splash interior bottom dome strainer.

OPTIONS (Check/specify appropriate options)

PIPE SIZE

- 2,3,4,6 [51,76,102,152]
- 8 [203]
- 2,3,4 [51,76,102]

(Specify size/type) **OUTLET**

- ___ IC Inside Caulk
- ___ IC Inside Caulk
- ___ NL Neo-Loc

'E' BODY HT. DIMENSION

Z	ZN
9-3/4 [248]	10 254]
10-1/4 [260]	10-1/2 [267]
9 [229]	9-3/16 [233]

PREFIXES

- ___ Z Cast Iron Body with White A.R.C. Interior*
- ___ ZN Cast Iron Body with White A.R.C. Interior, 16-3/4 [425] Square Nickel Bronze Frame and Full Grate

SUFFIXES

- | | |
|--|---|
| ___ -LD (Less) Bottom Dome Strainer | ___ -15 Solid Loose Set Cover |
| ___ -P 1/2 [13] Trap Primer Connection | ___ -23 Aluminum Bucket |
| ___ -TC Neo-Loc Test Cap Gasket
(2,3,4 [51,76,102] NL Bottom Outlet Only) | ___ -25 White A.R.C. Bucket |
| ___ -1 (Less) Grate | ___ -31 Stainless Steel Mesh Liner for Bucket |
| ___ -2 1/2 Grate | ___ -33 White A.R.C. Anti-Splash Bottom Dome Strainer |
| ___ -3 3/4 Grate | |
| ___ -4 Full Grate with Square Center Opening | |
| ___ -6 Grate w/ 6 [152] Dia. x 6 [152] High Funnel | |
| ___ -8 Grate w/ 8-7/8 x 3-5/8 x 3-3/4
[225 x 92 x 95] High Oval Funnel | |
| ___ -11 Vandal-Proof Secured Grate | |

* Regularly furnished unless otherwise specified.