



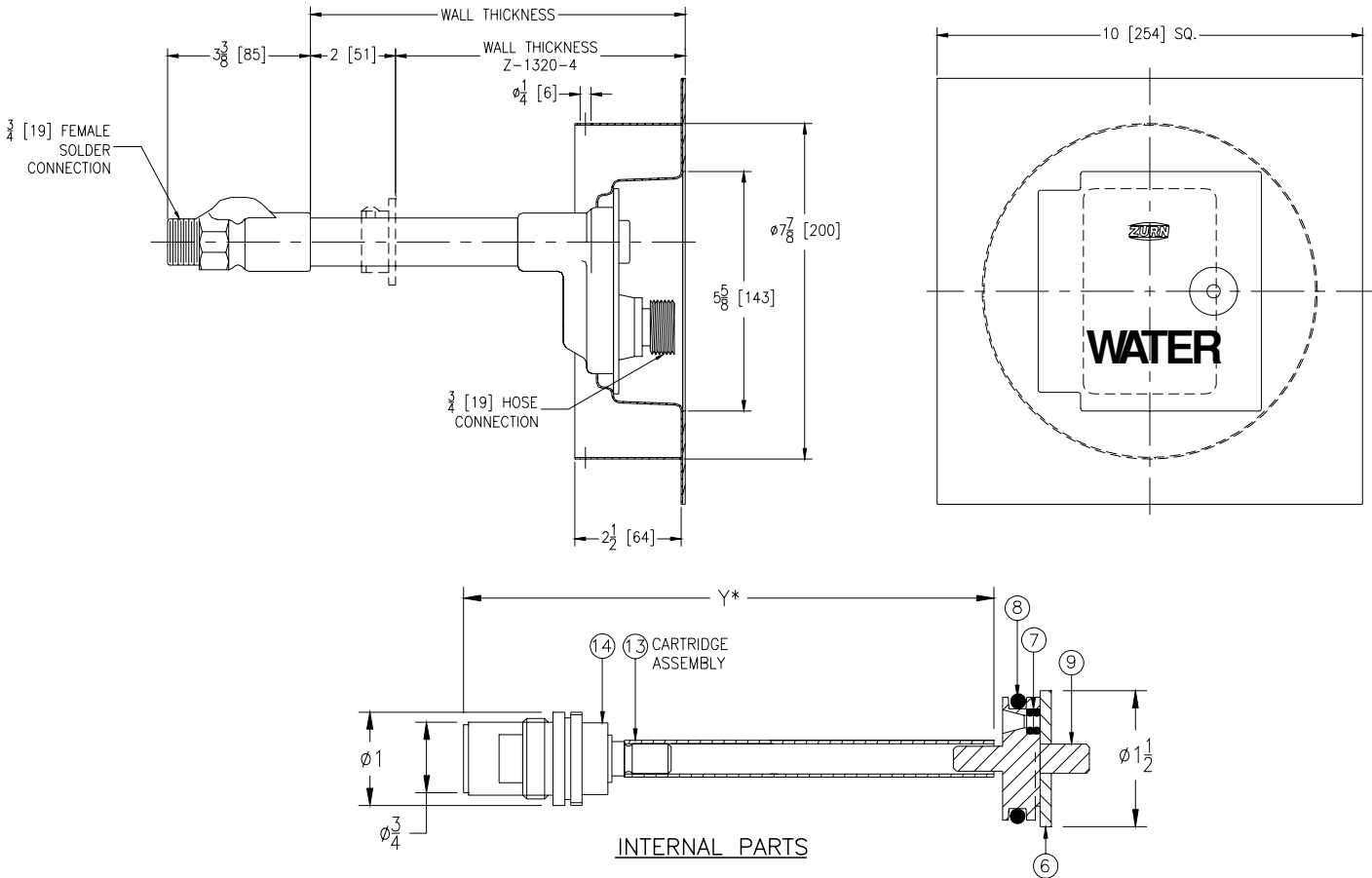
Z-1320-76

SPECIFICATION SHEET

ECOLOTROL CERAMIC DISK WALL HYDRANT Encased, Non-Freeze, Anti-Siphon, Automatic Draining

TAG _____

Dimensional Data (inches and [mm]) are Subject to Manufacturing Tolerances and Change Without Notice



Wall Thickness Inches	Approx. Wt. Lbs. [kg]
6-8 [152-203]	5 [2]
10-12-14 [254-305-356]	6 [3]
16-18 [406-457]	7 [3]
20-22-24 [508-559-610]	8 [4]
26[660]	10[5]

ENGINEERING SPECIFICATION: ZURN-1320-76 Encased Ecolotrol "anti-siphon" automatic draining wall hydrant. For flush installation in 8" dia. cored hole concrete exterior wall. Complete with copper casing, all bronze interior parts with 1/2 turn ceramic disk cartridge and combination 3/4[19] female solder and 3/4[19] male pipe thread inlet. Stainless steel large flange box and hinged cover with operating key lock and "WATER" stamped on cover. (All solder connections are lead free.)

OPTIONS (Check/specify appropriate options)

SUFFIXES

- ____ -RK Hydrant Parts Repair Kit
- ____ -1 3/4 [19] IP Straight Female Inlet Adapter
- ____ -4 Wall Clamp
- ____ -6 Polished Bronze Face
- ____ -10 Polished Nickel Bronze Face
- ____ -12 Cylinder Lock
- ____ -13 3/4 [19] IP 90° Inlet Elbow w/Union Nut

PARTS LIST

Item	Name	Quan.
14	Cartridge	1
13	Operating Tube	1
9	Operating Coupling	1
8	'O' Ring	1
7	'O' Ring	2
6	Retaining Washer	1

*WHEN ORDERING REPLACEMENT CARTRIDGE ASSEMBLY SPECIFY DIM.

REV.	DATE: 4/25/02	C.N. NO. 88472
DWG. NO. P-14889 PRODUCT NO. Z-1320-76		