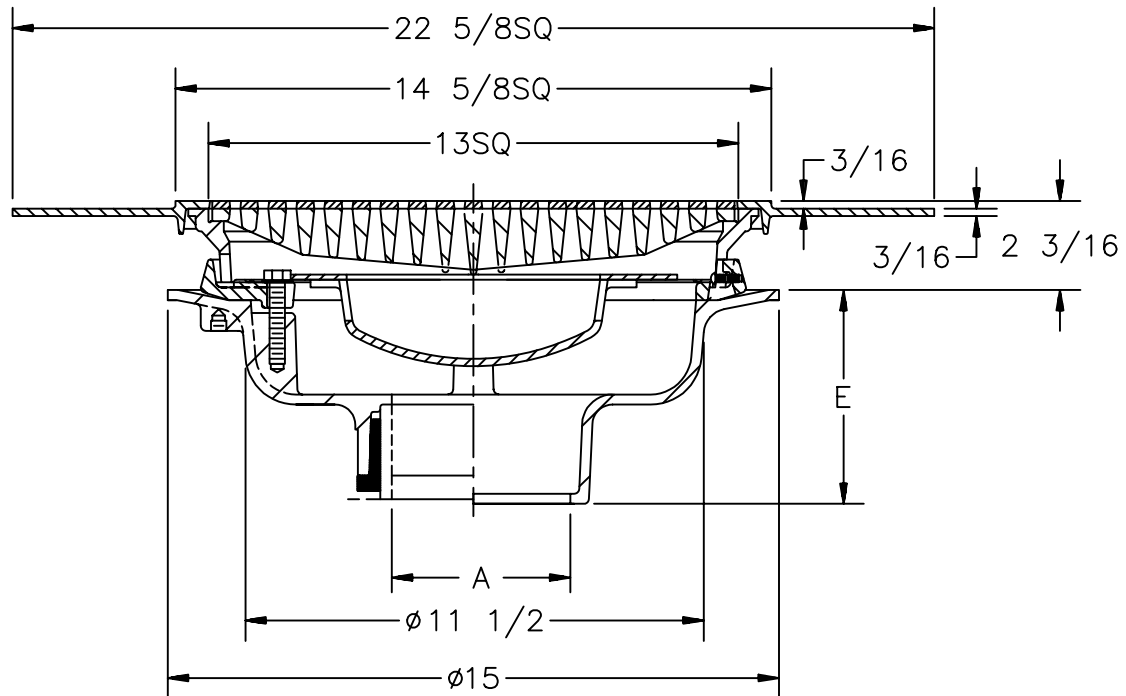




**Z-150-91**  
**WIDE FLANGE TOP PROM-DECK DRAIN**  
**WITH HEEL-PROOF GRATE**

TAG \_\_\_\_\_

Dimensions Subject to Manufacturing Tolerances



A- Pipe Size In.	Approx. Wt. Lbs.	Grate Open Area Sq. In.
2-3-4	53	44
5-6		
8		
10	54	

**ENGINEERING SPECIFICATION:** ZURN ZN-150-91 Wide Flange Top Prom-Deck drain, Dura-Coated cast iron body with promenade frame and heavy-duty, heel proof grate with combination membrane flashing clamp/gravel guard and sediment bucket.

**OPTIONS** (Check/specify appropriate options)

**PIPE SIZE**

2 thru 6, 8  
 2 thru 6, 8  
 2 thru 6, 8  
 2,3,4

(Specify size/type) **OUTLET**

\_\_\_\_\_ IC Inside Caulk  
 \_\_\_\_\_ IP Threaded  
 \_\_\_\_\_ NH No-Hub  
 \_\_\_\_\_ NL Neo-Loc

**E BODY HT. DIM.**

5 1/4  
 3 3/4  
 5 1/4  
 4 5/8

**PREFIXES**

\_\_\_\_\_ **ZB-** D.C.C.I. Body with Polished Bronze Grate.  
 \_\_\_\_\_ **ZN-** D.C.C.I. Body with Polished Nickel Bronze Grate.\*

**SUFFIXES**

\_\_\_\_\_ **-C** Underdeck Clamp  
 \_\_\_\_\_ **-DB** Deep Sump Body  
 \_\_\_\_\_ **-DG** Duresist Grate  
 \_\_\_\_\_ **-E** Static Extension 1" thru 4" (Specify Height)  
 \_\_\_\_\_ **-EA** Adjustable Extension Assembly 1-3/4" thru 3-1/2"  
 \_\_\_\_\_ **-G** Galvanized Cast Iron  
 \_\_\_\_\_ **-R** Roof Sump Receiver  
 \_\_\_\_\_ **-S** Secondary Clamp Collar  
 \_\_\_\_\_ **-VP** Vandal Proof Secured Top

\_\_\_\_\_ **-XJ** Vertical Expansion Joint (See Z-190)  
 \_\_\_\_\_ **-85** Stainless Steel Perforated Extension  
 \_\_\_\_\_ **-90** 90° Threaded Side Outlet Body (2" thru 6") (Previously Z-153)

<b>REV. A</b>	<b>DATE: 11/3/92</b>	<b>C.N. NO. 68673</b>
<b>DWG. NO. P-13687 PRODUCT NO. Z-150-91</b>		

\*REGULARLY FURNISHED UNLESS OTHERWISE SPECIFIED