



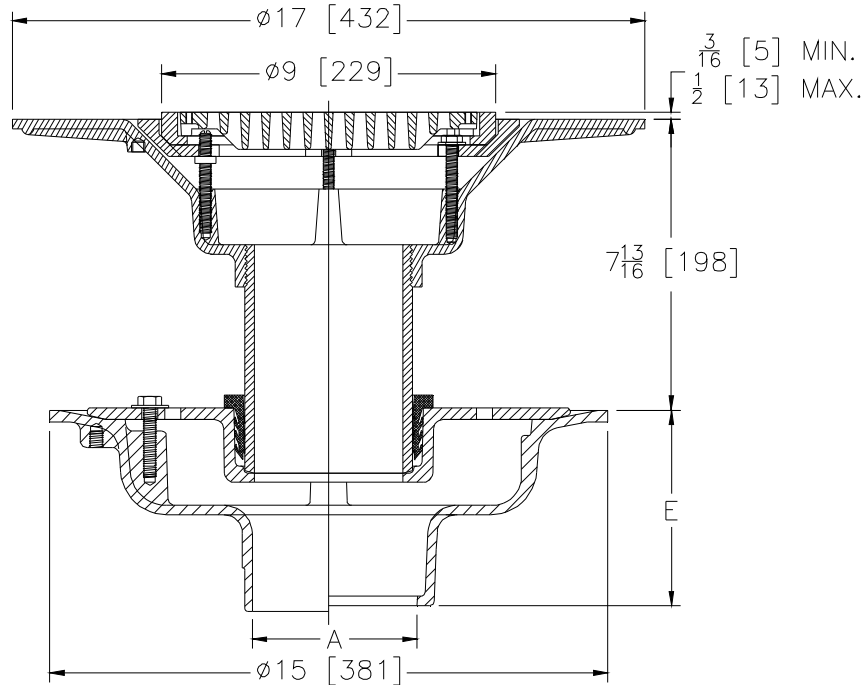
Z624-124

ISOLATION DECK DRAIN W/ 9 [229] ADJUSTABLE MEDIUM-DUTY WIDE FLANGE DECK DRAIN

SPECIFICATION SHEET

TAG _____

Dimensional Data (inches and [mm]) are Subject to Manufacturing Tolerances and Change Without Notice



A Pipe Size In. [mm]	Approx. Wt. lbs. [kg]	Grate Open Area Sq. In. [cm ²]
2,3,4 [51,76,102]	72 [36]	18 [116]
5,6 [127,152]		

ENGINEERING SPECIFICATION: ZURN Z624-124

Isolation deck drain, Dura-Coated cast iron upper body with 9" [229mm] diameter adjustable frame, latex troweling flange, medium duty grate. Complete with lower body, lower clamp collar with seepage holes, neoprene flex gasket, and isolation nipple.

OPTIONS (Check/specify appropriate options)

PIPE SIZE

2,3,4,5,6 [51,76,102,127,152]
 2,3,4,6 [51,76,102,152]
 2,3,4,5,6 [51,76,102,127,152]
 2,3,4,5,6 [51,76,102,127,152]
 2,3,4 [51,76,102]

(Specify size/type) OUTLET

___ IC Inside Caulk
 ___ IG Inside Gasket
 ___ IP Threaded
 ___ NH No-Hub
 ___ NL Neo-Loc

'E' BODY HT. DIM.

5-1/4 [133]
 5-1/4 [133]
 3-3/4 [95]
 5-1/4 [133]
 4-5/8 [117]

PREFIXES

___ Z D.C.C.I Body & Top
 ___ ZB D.C.C.I Body w/ Polished Bronze Top
 ___ ZN D.C.C.I Body w/ Polished Nickel Bronze Top*

SUFFIXES

___ -C Underdeck Clamp (Lower Body)
 ___ -DG Duresist Grate
 ___ -G Galvanized Cast Iron
 ___ -R Sump Receiver (Lower Body)
 ___ -S Secondary Strainer
 ___ -TC Neo-Loc Test Cap Gasket
 (2,3,4 [51,76,102] NL Bottom Outlet Only)
 ___ -TS Top Secured with Slotted Screws
 ___ -VP Vandal-Proof Secured Top
 ___ -Y Sediment Bucket

* Regularly furnished unless otherwise specified.