



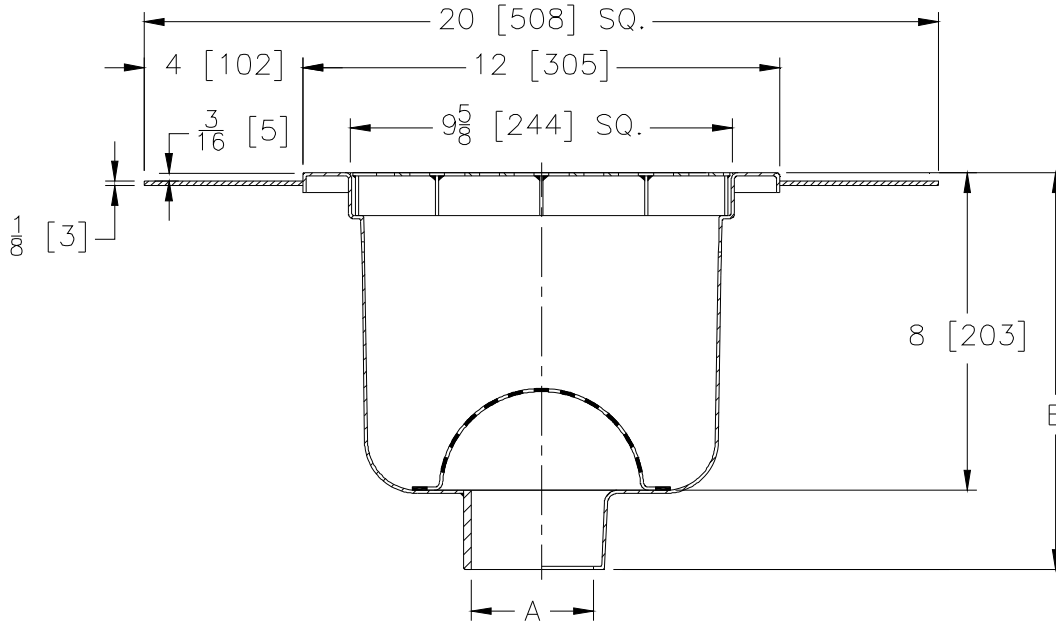
Z1751-DX

12 X 12 [305 X 305] SANI-FLOR RECEPTOR
8 [203] SUMP DEPTH W/ DEX-O-TEX FLANGE

SPECIFICATION SHEET

TAG _____

Dimensional Data (inches and [mm]) are Subject to Manufacturing Tolerances and Change Without Notice



A Pipe Size In. [mm]	Approx. Wt. Lbs. [kg]	Grate Open Area Sq. In. [cm ²]
2,3,4 [51,76,102]	19 [9]	23 [148]
6 [152]	21 [9]	23 [148]

ENGINEERING SPECIFICATION: ZURN Z1751-DX

12" x 12" x 8" [305mm x 305mm x 203mm] deep, 16 gage, all Type 304 (CF8) stainless steel light duty Sani-Flor receptor with Dex-O-Tex flange, non-tilt, loose set full grate with 1/2" [13mm] square openings and anti-splash interior dome strainer.

OPTIONS (Check/specify appropriate options)

PIPE SIZE

- 3,4 [76,102]
- 2,3,4,6 [51,76,102,152]
- 2,3,4 [51,76,102]

(Specify size/type) **OUTLET**

- ___ IC Inside Caulk
- ___ NH No-Hub
- ___ NL Neo-Loc

'E' BODY HT. DIM.

- 10-9/16 [268]
- 10-1/16 [256]
- 9-13/16 [249]

PREFIXES

- ___ Z Type 304 (CF8) Stainless Steel Body*
- ___ ZM Type 316 (CF8M) Stainless Steel

SUFFIXES

- | | | | |
|---------|---|---------|--|
| ___ -HD | Extra Heavy-Duty Grate | ___ -1 | (Less) Grate |
| ___ -HP | Heel-Proof Grate | ___ -2 | 1/2 Grate |
| ___ -K | Anchor Flange w/ Seepage Holes | ___ -3 | 3/4 Grate |
| ___ -KC | Anchor Flange w/ Seepage Holes and Clamp Collar | ___ -4 | Full Grate w/ 3 [76] Square Center Opening |
| ___ -P | 1/2 [13] Trap Primer Connection | ___ -5 | Grate w/ 4 [102] Dia. x 3-3/4 [95] High Type 304 Stainless Steel Funnel |
| ___ -SG | Solid Gasketed Cover | ___ -8 | Grate w/ 9 [229] Dia. x 3-1/2 [90] High Type 304 Stainless Steel Oval Funnel |
| ___ -TC | Neo-Loc Test Cap Gasket (2,3,4 [51,76,102] NL Bottom Outlet Only) | ___ -15 | Solid Cover |
| ___ -VP | Vandal-Proof Secured Top | ___ -16 | 1/2 Solid Cover |
| ___ -Y | Sediment Bucket | ___ -19 | Full Hinged Grate |
| ___ -YS | Suspended Sediment Bucket | ___ -20 | Full Hinged Solid Cover |

* Regularly furnished unless otherwise specified.