

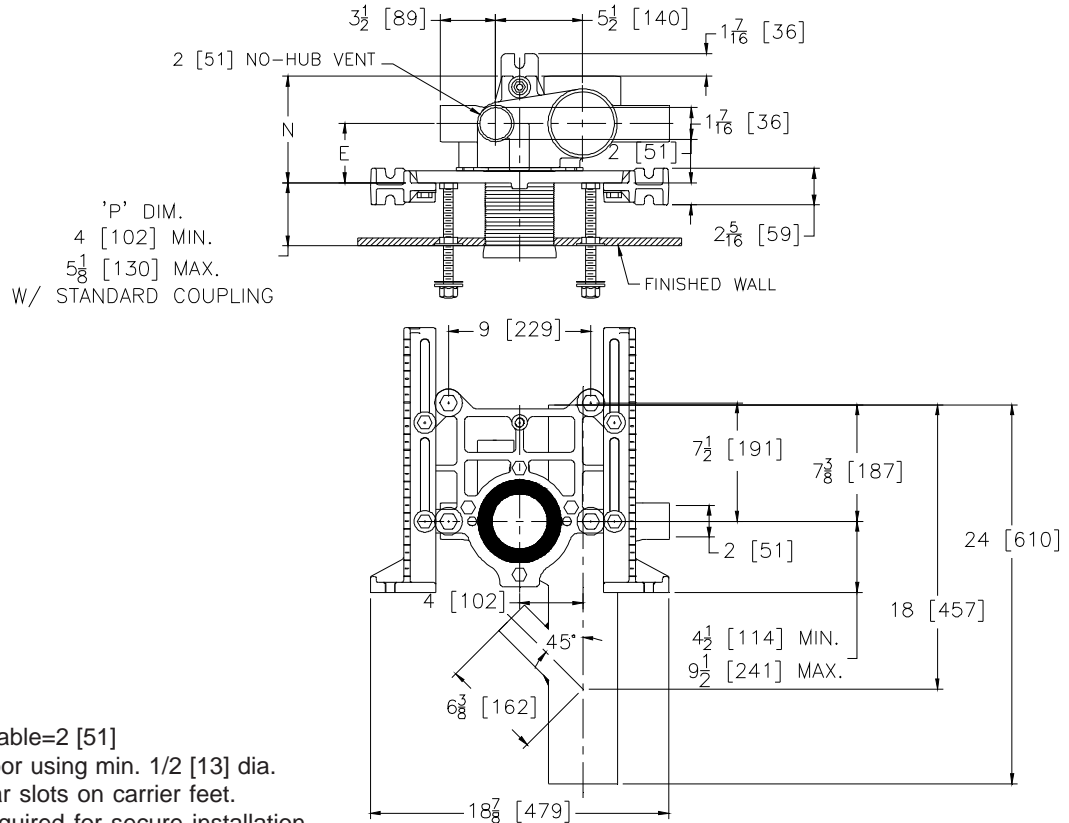


Z1209-94

SPECIFICATION SHEET

VERTICAL OFFSET SIPHON JET WATER CLOSET SUPPORT SYSTEM TAG _____ W/ STACK SIDE AUXILIARY INLET AND 45° INLET UNDER VENT

Dimensional Data (inches and [mm]) are Subject to Manufacturing Tolerances and Change Without Notice



Note:

1. Min. 'P' Dim. Obtainable=2 [51]
2. Feet anchored to floor using min. 1/2 [13] dia. anchors through rear slots on carrier feet.
3. Rear anchor foot required for secure installation.

Product No.	Dimension In Inches		Approx. Wt. Lbs. [kg]
	E	N	
Z1209-NL4/NR4-94	3-3/4[95]	6-13/4[171]	67 [30]

ENGINEERING SPECIFICATION: ZURN Z1209(-)-94

Vertical Offset Siphon Jet Water Closet "Rigid System" with 4 [102] size No-Hub or Hub and Spigot connections, 2 [51] vent, 2 [51] stack side auxiliary inlet, and 2 [51] 45° wye auxiliary inlet. Complete with Dura-Coated cast iron main fitting, universal floor mounted foot supports, adjustable faceplate, corrosion resistant adjustable ABS coupling with integral test cap, fixture bolts, trim, and stud protectors. Rear anchor tie down, and bonded "Neo-Seal" gasket.

PRODUCT/DEFINITION

- ___ Z1209-NL4-94 4 [102] No-Hub Stack, Left Hand Offset Inlet, 2 [51] Left Hand Vent
- ___ Z1209-NR4-94 4 [102] No-Hub Stack, Right Hand Offset Inlet, 2 [51] Right Hand Vent

PREFIXES

- ___ Z D.C.C.I. System with Zurn "ZZ" Adjustable Coupling
- ___ ZQ D.C.C.I. System with N.P.T. Inlet, Non-Adjustable Coupling

SUFFIXES

- ___ -A Auxiliary Support Assembly (For P-Dim. greater than 18 [457])
- ___ -B Blowout Type Fixture Support
- ___ -CC Corrosion Resistant Cast Iron Coupling (6 [152] to 12 [305])
- ___ -CL Coupling Length Greater than 12 [305] (Specify length Required)
- ___ -F Floor Mounted, Back Outlet Fixture Support
- ___ -G Galvanized Cast Iron
- ___ -M Auxiliary Foot Support (For P-Dim. 10 [254] to 18 [457])
- ___ -VP Vandal Proof Trim
- ___ -X3 3 [76] Carrier Foot Extension Assembly
- ___ -X4 4 [102] Carrier Foot Extension Assembly
- ___ -29 Mechanical Test Cap Assembly
- ___ -45 Finishing Frame for Siphon Jet System
- ___ -50 Flush Valve Supply Support for Water Closet
- ___ -61 Adjusting Wrench for "ZZ" Coupling Wrench

*REGULARLY FURNISHED UNLESS OTHERWISE SPECIFIED

REV.	DATE: 11/23/10	C.N. NO. 120511
DWG. NO. 303505	PRODUCT NO. Z1209-94	