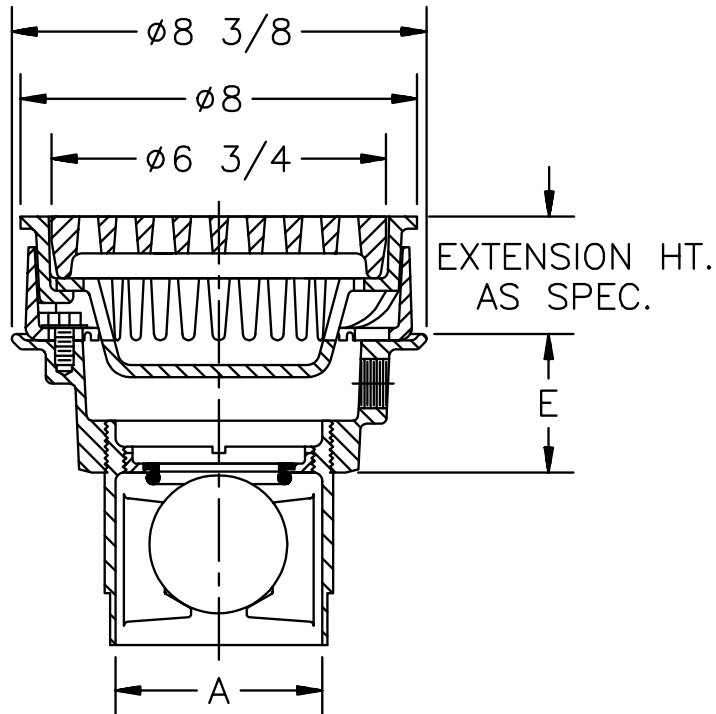




**Z-556-76**  
**8" ADJUSTABLE HEAVY DUTY FLOOR**  
**DRAIN WITH DEEP ANTI-TILT GRATE**

TAG \_\_\_\_\_

Dimensional Data (inches and [ mm ]) are Subject to Manufacturing Tolerances and Change Without Notice



A- Pipe Size In.	Approx. Wt. Lbs.	Grate Open Area Sq. In.
2-3-4	28	11

**ENGINEERING SPECIFICATION:** ZURN Z-556-76 8" Diameter top drain, Dura-Coated cast iron body with bottom outlet, seepage pan and combination membrane flashing clamp and frame for adjustable extension, with heavy duty anti-tilt slotted grate, auxiliary inlet connection, backwater valve and sediment bucket.

**OPTIONS** (Check/specify appropriate options)

**OUTLET**

\_\_\_ **NH** No-Hub

**PIPE SIZE** (Specify size)

\_\_\_ 2",3",4"

**'E' BODY HT. DIMENSION**

3-7/8

**PREFIXES**

\_\_\_ **Z-** D.C.C.I. Body and Grate\*  
 \_\_\_ **ZN-** D.C.C.I. Body with Polished Nickel Bronze Grate and Frame (Add 3/16" to E Dim.)

**SUFFIXES**

\_\_\_ **-G** Galvanized Cast Iron  
 \_\_\_ **-VP** Vandal Proof Secured Top

\*REGULARLY FURNISHED UNLESS OTHERWISE SPECIFIED

REV.	DATE: 1/4/95	C.N. NO. 70541
<b>DWG. NO. P-14126 PRODUCT NO. Z-556-76</b>		