

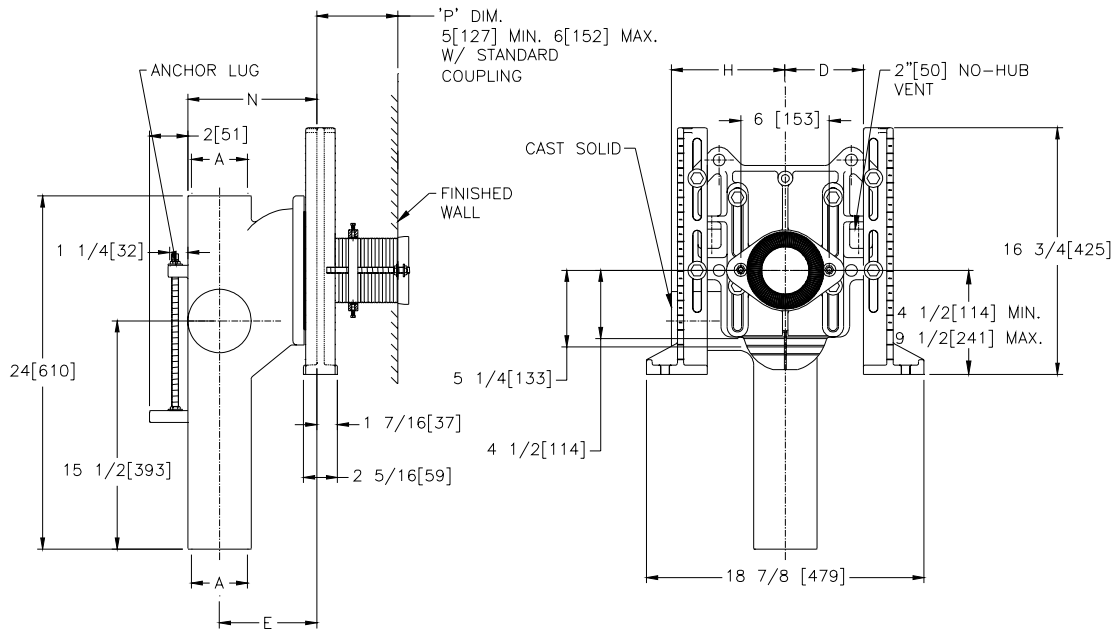


Z1204-N-F

ADJUSTABLE VERTICAL SIPHON JET NO-HUB WATER CLOSET CARRIER FOR FLOOR MOUNTED BACK OUTLETS

TAG _____

Dimensional Data (inches and [mm]) are Subject to Manufacturing Tolerances and Change Without Notice



Note:

1. Min. 'P' Dim. Obtainable=2 [51]
2. 2 No-Hub vent connection regularly furnished on right hand side. Left hand available when specified (Suffix- VL)
3. Auxiliary inlet available right (-JR) or left (-JL) or both sides (-JJ) when specified.
4. Feet bolted to floor using min. 1/2 [13] dia. bolts and back slots on carrier feet.
5. Back anchor foot required for secure installation.

Product No.	Dimensions In Inches					Approx. Wt. Lbs. [kg]
	A	D	E	H	N	
Z1204-N4-F	4 [102]	5 [127]	6 5/8 [168]	5 1/2 [140]	8 7/8 [225]	80 [36]
Z1204-N5-F	5 [127]	5 1/2 [140]	6 5/8 [168]	6 1/2 [165]	9 3/8 [238]	85 [39]
Z1204-N6-F	6 [152]	6 [152]	7 1/8 [181]	6 1/2 [165]	10 3/8 [264]	95 [43]

ENGINEERING SPECIFICATION:

ZURN Z1204-N-F () Adjustable, vertical siphon jet water closet "Rigid System" with () size No-Hub connections and () side inlets. Complete with Dura-Coated cast iron right hand, left hand, or double main fitting, with 2 [51] vent, adjustable gasketed face-plate, universal floor mounted foot supports, corrosion resistant adjustable ABS coupling with integral test cap, fixture bolts, trim, and stud protectors. Rear anchor tie down and bonded "Neo-Seal" gasket and floor mounted back outlet fixture support.

PRODUCT/DEFINITION

_____ Z1204-N-F No-Hub Stack, Single Inlet, 2 [51] Right Hand Vent, w/ Floor Mount, Back Outlet Fixture Support.

PREFIXES

- _____ Z D.C.C.I. System with Zurn "ZZ" Adjustable Coupling*
- _____ ZQ D.C.C.I. System with NPT Face Plate, Non-Adjustable Coupling

SUFFIXES

- _____ -A Auxiliary Support Assembly (For P-Dim. greater than 18 [457])
- _____ -B Blowout Type Fixture Support
- _____ -BC Back Cleanout
- _____ -CC Corrosion Resistant Cast Iron Coupling (6 [152] to 12 [305])
- _____ -CL Coupling Length Greater than 12 [305] (Specify length Required)
- _____ -G Galvanized Cast Iron
- _____ -JJ Two 2 [51] Auxiliary Inlets
- _____ -JL 2 [51] Left Hand Auxiliary Inlet
- _____ -JR 2 [51] Right Hand Auxiliary Inlet
- _____ -VL Left Hand Vent Connection
- _____ -VP Vandal Proof Trim
- _____ -W Adapter Assembly for Womens Urinal
- _____ -X3 3" [76] Foot Extension Assembly
- _____ -X4 4" [102] Foot Extension Assembly
- _____ -29 Mechanical Test Cap Assembly
- _____ -50 Flush Valve Supply Support for W.C.
- _____ -61 "ZZ" Coupling Wrench

*REGULARLY FURNISHED UNLESS OTHERWISE SPECIFIED

REV.	DATE: 02/02/05	C.N. NO. 92924
DWG. NO. 82203	PRODUCT NO. Z1204-N-F	