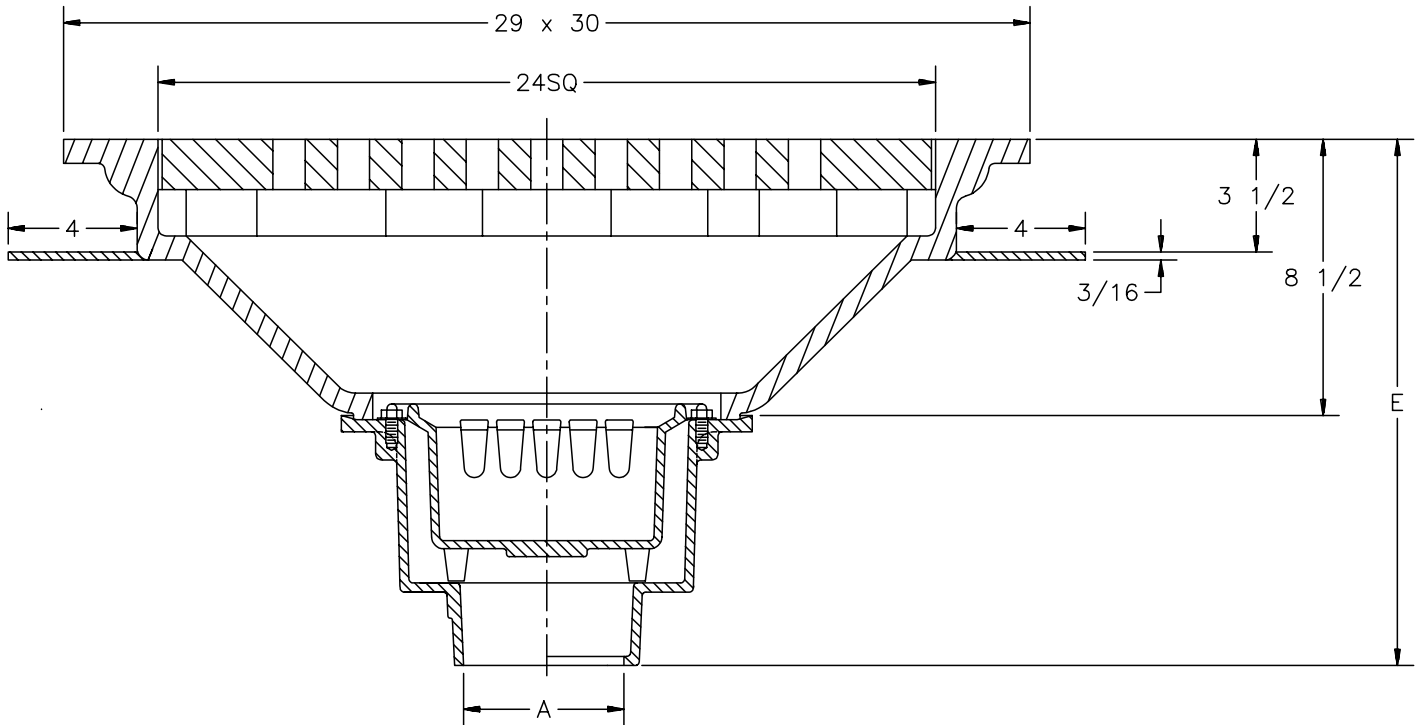




**Z-673-76**  
**29" X 30" EXTRA HEAVY**  
**DUTY DRAIN**

TAG \_\_\_\_\_

Dimensional Data (inches and [ mm ]) are Subject to Manufacturing Tolerances and Change Without Notice



A- Pipe Size Inches	Approx. Wt. Lbs.	Grate Open Area Sq. In.
2-3-4	294	166
5-6	314	

**ENGINEERING SPECIFICATION Z-673-76 29" X 30" Top Drain, Dura-Coated cast iron body with bottom outlet, seepage pan and combination membrane flashing clamp secondary flange and frame for cast iron extra heavy duty loose slotted grate with suspended sediment bucket.**

**OPTIONS** (Check/specify appropriate options)

**OUTLET** (Specify type)

- \_\_\_\_\_ **IC** Inside Caulk
- \_\_\_\_\_ **IG** Inside Caulk w/Sealtrol Gskt.
- \_\_\_\_\_ **IP** Threaded
- \_\_\_\_\_ **NH** No-Hub

**PIPE SIZE** (Specify size)

- \_\_\_\_\_ 2" thru 6"
- \_\_\_\_\_ 2",3",4",6"
- \_\_\_\_\_ 2",3",4"
- \_\_\_\_\_ 2" thru 6"

**'E' BODY HT. DIMENSION**

- 16-1/4"
- 16-1/4"
- 14-5/8"
- 16-1/4"

**PREFIXES**

- \_\_\_\_\_ **Z-** D.C.C.I. Body and Grate\*

**SUFFIXES**

- \_\_\_\_\_ **-DG** Duresist Grate
- \_\_\_\_\_ **-D** Galvanized Cast Iron
- \_\_\_\_\_ **-SS** Stainless Mesh Liner Bucket
- \_\_\_\_\_ **-V** Backwater Valve (See Z-1099)
- \_\_\_\_\_ **-VP** Vandal Proof Secured Top
- \_\_\_\_\_ **-90** 90° Threaded Side Outlet Body (Previously Z-673-1)

\*REGULARLY FURNISHED UNLESS OTHERWISE SPECIFIED

<b>REV.</b>	<b>DATE: 4/13/92</b>	<b>C.N. NO. 68244</b>
<b>DWG. NO. P-13688 PRODUCT NO. Z-673-76</b>		