



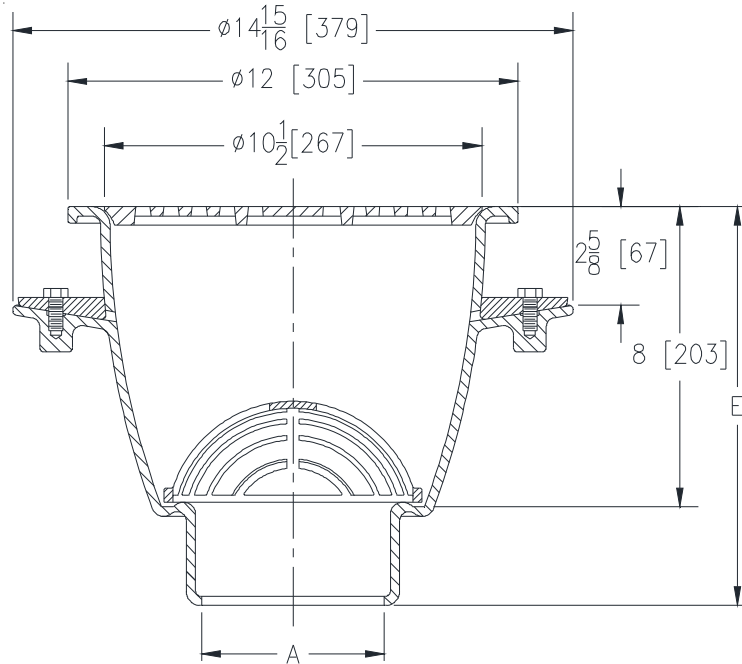
# Z1950-KC

12 [305] DIAMETER A.R.E. SANI-FLOR RECEPTOR  
 8 [203] SUMP DEPTH W/ ANCHOR FLANGE,  
 SEEPAGE HOLES, AND CLAMPING COLLAR

SPECIFICATION SHEET

TAG \_\_\_\_\_

Dimensional Data (inches and [ mm ]) are Subject to Manufacturing Tolerances and Change Without Notice



A- Pipe Size In. [mm]	Approx. Wt. Lbs. [kg]	Grate Open Area Sq. In. [cm <sup>2</sup> ]
2, 3, 4 [51, 76, 102]	35 [15]	22 [142]

**ENGINEERING SPECIFICATION: ZURN Z1950-KC**  
 Sani-Flor receptor 12" [305mm] diameter x 8" [203mm] deep cast iron body along with flange w/ seepage holes and clamping collar, round slotted light duty grate, with white acid resisting porcelain enamel interior and top, black ground enamel exterior coating, and white ABS anti-splash interior bottom dome strainer.

**OPTIONS** (Check/specify appropriate options)

**PIPE SIZE**

(Specify size/type) **OUTLET**

**'E' BODY HT. DIMENSION**

		<b>Z</b>	<b>ZN</b>
3, 4 [76, 102]	___ IC Inside Caulk	10-5/8 [270]	11 [279]
2, 3, 4 [51, 76, 102]	___ NH No-Hub	10-5/8 [270]	11 [279]
2, 3, 4 [51, 76, 102]	___ NL Neo-Loc	10 [254]	10-3/8 [264]

**PREFIXES**

- \_\_\_ Z Cast Iron Body with White A.R.E. Interior\*
- \_\_\_ ZN Cast Iron Body with White A.R.E. Interior, 12-1/2 [321] Nickel Bronze Frame and Full Grate with 1/4 [6] Square Openings

**SUFFIXES**

- |   |   |
|---|---|
| ___ -LD (Less) Internal Bottom Dome Strainer                                  | ___ -11 Vandal Proof Secured Grate                    |
| ___ -P 1/2 [13] Threaded Trap Primer Connection (See Z1023)                   | ___ -15 Solid Loose Set Cover                         |
| ___ -TC Neo-Loc Test Cap Gasket (2, 3, 4 [51, 76, 102] NL Bottom Outlet Only) | ___ -23 Aluminum Bucket                               |
| ___ -1 (Less) Grate   | ___ -25 White A.R.C. Bucket                           |
| ___ -2 1/2 Grate  | ___ -31 Stainless Steel Mesh Liner for Bucket         |
| ___ -3 3/4 Grate  | ___ -32 Aluminum Dome Strainer                        |
| ___ -4 Full Grate With 2 [51] Square Opening                                  | ___ -33 White A.R.C. Anti-Splash Bottom Dome Strainer |
| ___ -6 Grate w/6 [152] dia. x 6 [152] High Funnel                             |   |
| ___ -8 Grate w/8-7/8 x 3-5/8 x 3-3/4 [225 x 92 x 95] High Oval Funnel         |   |

\* Regularly furnished unless otherwise specified.