



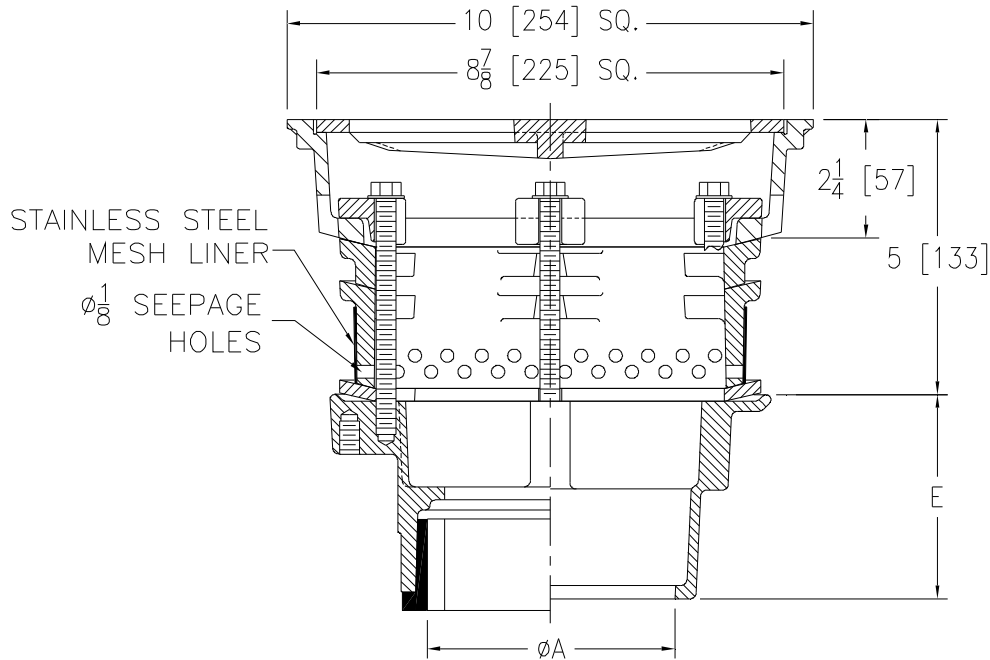
# Z158-97

SPECIFICATION SHEET

10 [254] SQ. TOP PROM-DECK DRAIN W/  
PERFORATED STATIC EXTENSION, STAINLESS STEEL  
MESH LINER, HEEL-PROOF GRATE & ROTATABLE FRAME

TAG \_\_\_\_\_

Dimensional Data (inches and [mm]) are Subject to Manufacturing Tolerances and Changes Without Notice



A- Pipe Size In.	Approx. Wt. Lbs. [kg]	Grate Open Area Sq. In. [cm <sup>2</sup> ]
2-3-4 [51-76-102]	26 [12]	11 [71]

**ENGINEERING SPECIFICATION: ZURN Z158-97**

10 [254] Square top Prom-Deck drain, Dura-Coated cast iron body with square promenade rotatable frame and heel-proof grate, combination membrane flashing clamp/gravel guard, perforated static extension with 1/8 [3] dia. seepage holes, stainless steel mesh liner, and secondary clamp collar at body.

**OPTIONS** (Check/specify appropriate options)

**PIPE SIZE**

- 2 thru 4 [51 thru 102]
- 2 thru 4 [51 thru 102]
- 2 thru 4 [51 thru 102]
- 2 thru 4 [51 thru 102]

(Specify size) **OUTLET**

- \_\_\_ IC Inside Caulk
- \_\_\_ IP Threaded
- \_\_\_ NH No-Hub
- \_\_\_ NL Neo-Loc

**'E' BODY HT. DIM.**

- 3 7/8 [98]
- 2 5/8 [67]
- 3 7/8 [98]
- 3 3/4 [95]

**PREFIXES**

- \_\_\_ Z D.C.C.I. Body with Top\*
- \_\_\_ ZB D.C.C.I. Body with Polished Bronze Top
- \_\_\_ ZN D.C.C.I. Body with Polished Nickel Bronze Top

**SUFFIXES**

- \_\_\_ -AR Acid Resistant Epoxy Coated
- \_\_\_ -C Underdeck Clamp
- \_\_\_ -DG Duresist Grate (Z Only)
- \_\_\_ -DP Top-Set® Roof Deck Plate (Replaces Both the -C and -R)
- \_\_\_ -G Galvanized Cast Iron
- \_\_\_ -R Roof Sump Receiver
- \_\_\_ -S Secondary Strainer
- \_\_\_ -TC Neo-Loc Test Cap Gasket (2 - 4 [51-102] NL Bottom Outlet Only)
- \_\_\_ -TS Top Secured with Slotted Screws
- \_\_\_ -VP Vandal-Proof Secured Top
- \_\_\_ -XJ Vertical Expansion Joint (See Z190)
- \_\_\_ -Y Sediment Bucket
- \_\_\_ -90 90° Threaded Side Outlet Body (2 - 4 [51-102]) (Previously Z159)

\*REGULARLY FURNISHED UNLESS OTHERWISE SPECIFIED

REV. A DATE: 07/19/06 C.N. NO. 95330

DWG. NO. P-15264

PRODUCT NO. Z158-97