



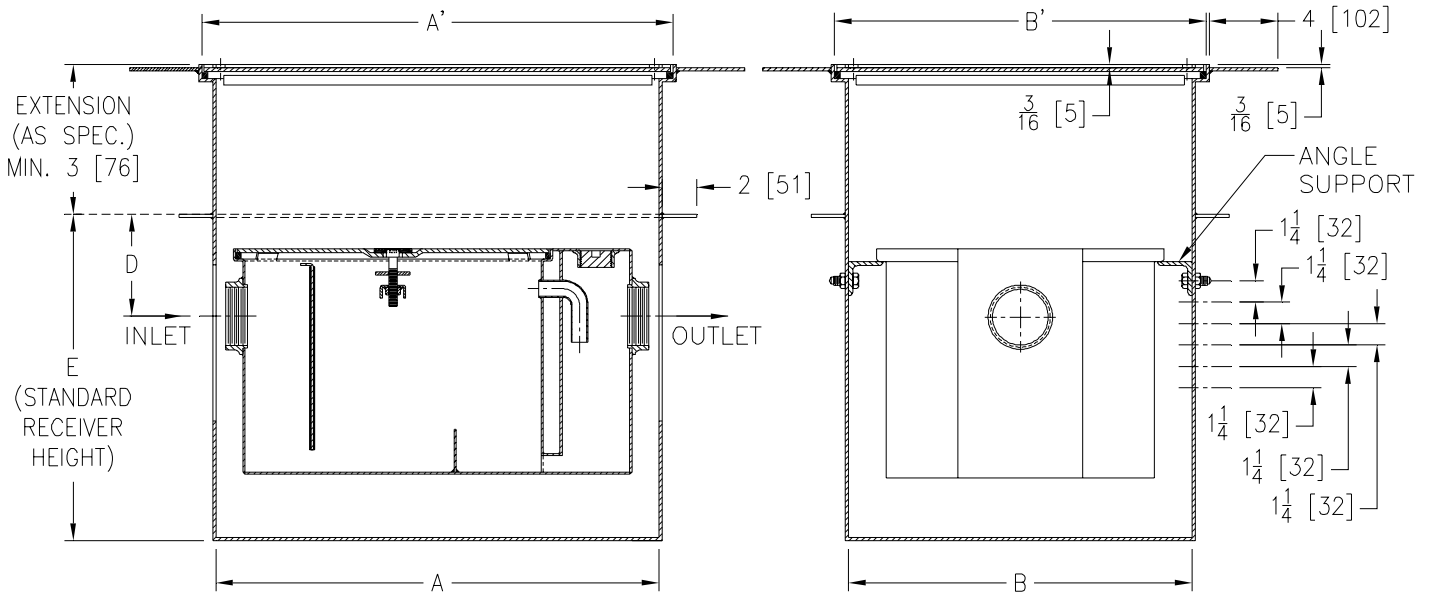
Z1170-120

GREASE INTERCEPTOR W/ ENCLOSED RECESSING RECEIVER, ANCHOR FLANGE, INTEGRAL EXTENSION & DEX-O-TEX FLANGE

SPECIFICATION SHEET

TAG _____

Dimensional Data (inches and [mm]) are Subject to Manufacturing Tolerances and Change Without Notice



Size	Inlet/Outlet Size**	Flow Rate G.P.M. [L]	Capacity		Approx Wt. Lbs. [kg]	Dimensions in Inches					
			Water Gal. [L]	Grease Lbs. [kg]		A	A'	B	B'	D	E
100	2 [51]	4 [15]	3 [11]	8 [4]	150 [68]	20 1/8 [511]	21 5/8 [549]	12 3/4 [324]	14 5/8 [371]	4 3/4 [121]	19 [483]
200	2 [51]	7 [26]	5 [19]	14 [6]	190 [86]	22 1/8 [562]	23 5/8 [600]	15 3/8 [391]	17 1/4 [438]	5 [127]	20 1/8 [511]
300	2 [51]	10 [38]	6 [23]	20 [9]	220 [100]	25 3/8 [645]	26 7/8 [683]	17 1/2 [445]	19 3/8 [492]	5 1/2 [140]	20 3/4 [527]
400	3 [76]	15 [57]	10 [38]	30 [14]	260 [118]	32 [813]	33 1/2 [851]	20 [508]	21 7/8 [556]	6 [152]	22 3/8 [568]
500	3 [76]	20 [76]	16 [60]	40 [18]	310 [191]	29 13/16 [757]	31 5/16 [795]	20 3/4 [527]	22 5/8 [575]	5 1/4 [133]	24 [610]
600	3 [76]	25 [94]	21 [79]	50 [23]	340 [154]	34 3/8 [873]	35 7/8 [911]	23 1/4 [590]	25 1/8 [638]	6 9/16 [167]	26 [660]
700	3 [76]	35 [132]	30 [113]	70 [32]	375 [170]	35 3/8 [898]	35 7/8 [911]	26 [660]	27 7/8 [780]	6 9/16 [167]	27 3/4 [705]
800	3 [76]	50 [189]	40 [151]	100 [45]	395 [179]	37 5/8 [956]	39 1/8 [994]	28 [711]	29 7/8 [759]	7 1/2 [191]	30 1/2 [775]

ENGINEERING SPECIFICATION: ZURN Z1170-120

Acid Resistant Coated interior and exterior fabricated steel grease interceptor. PDI, rated at ____ GPM and ____ Lbs. grease capacity, with internal air relief by-pass, bronze cleanout plug and visible double wall trap seal with removable combination pressure equalizing/flow diffusing baffle, enclosed recessing receiver with gasketed recessed cover for 3/16 [5] tile/terrazzo dex-o-tex flange and anchor flange. Complete with acid resistant coated interior and exterior fabricated steel integral extension section (Specify 'C' Dim. required). Regularly furnished with a high inlet and outlet connection. Note: Location of outlet from bottom of interceptor cannot be changed.

PREFIXES

____ Z Acid Resistant Coated Fabricated Steel*

** Inlet and outlet sizes shown indicate standard operating sizes and flow control setting. Size #300 will have 3 [76] connections reduced to 2 [51] and sizes #600 thru #800 will have 4 [102] connections reduced to 3 [76] as standard. If changed, flow control must be adjusted accordingly.

REV.	DATE: 3/7/07	C.N. NO. 96295
DWG. NO. P-15390 PRODUCT NO. Z1172-120		

*REGULARLY FURNISHED UNLESS OTHERWISE SPECIFIED