



# Z1360-83

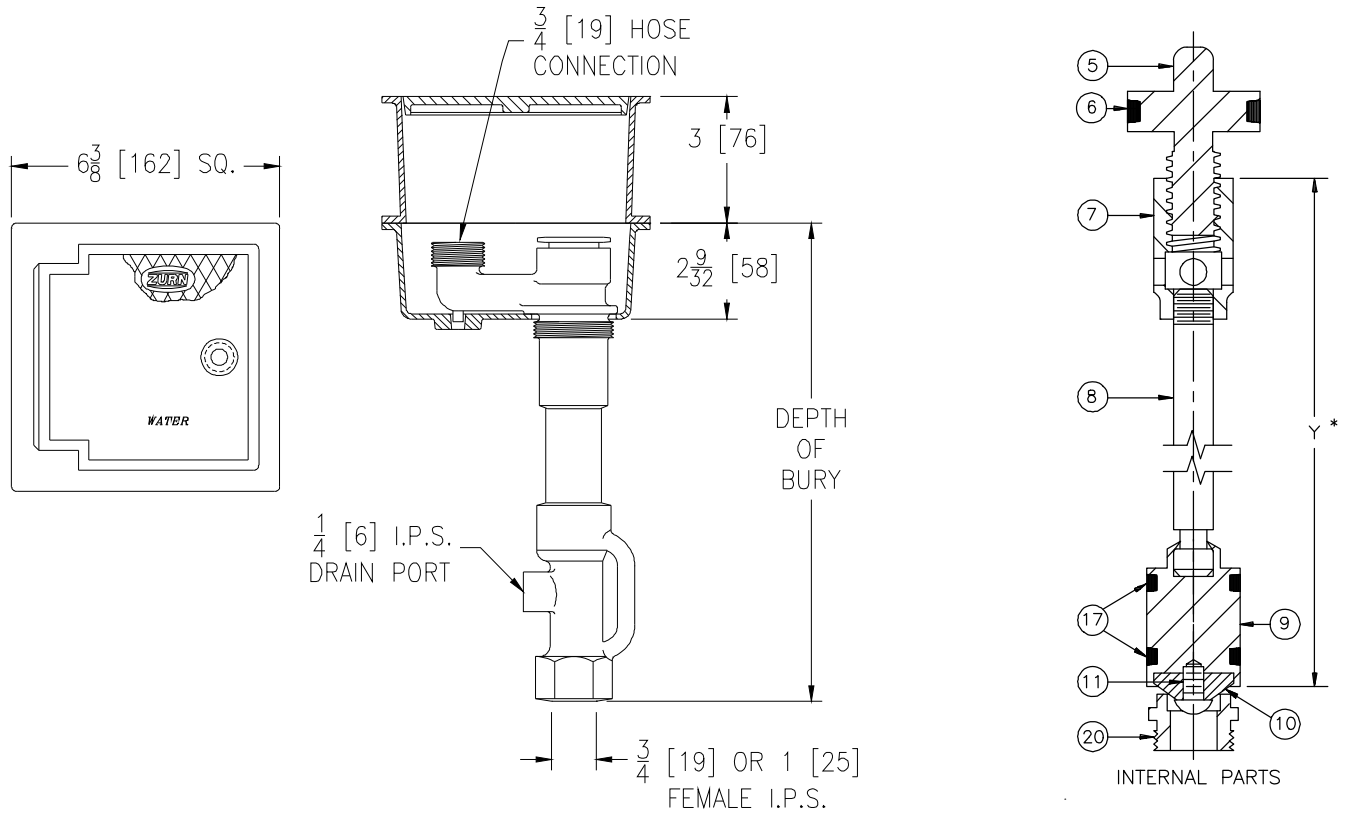
## GROUND HYDRANT WITH EXTENSION

### Encased, Flush Type, Non-Freeze

SPECIFICATION SHEET

TAG \_\_\_\_\_

Dimensional Data (inches and [ mm ]) are Subject to Manufacturing Tolerances and Change Without Notice



Depth of Bury Feet	Approx. Wt. Lbs. [kg]
2 [610]	17 [8]
3 [914]	21 [10]
4 [1219]	25 [11]
5 [1524]	33 [15]
6 [1829]	39 [18]
7 [2134]	43 [20]
8 [2438]	47 [21]
9 [2743]	52 [24]
10 [3048]	56 [25]

**ENGINEERING SPECIFICATION: ZURN Z1360-83**

Encased, non-freeze ground hydrant, for flush with grade or finished (non-traffic) floor installation. Complete with galvanized steel casing, all bronze interior parts, bronze seat and replaceable seat washer, non-turning operating rod with free-floating compression closure valve with 3/4 [19] or 1 [25] connection. Plain bronze box with 3 [76] extension and hinged scoriated cover with operating key lock and "WATER" cast on cover. Hydrant is equipped with a tapped 1/4 [6] drain port in valve housing.

Note:

- IMPORTANT** Hydrant must be opened one turn to seal drain port during use.

**OPTIONS** (Check/specify appropriate options)

**SUFFIXES**

_____	-BC	Bronze Casing
_____	-CI	D.C.C.I. Box and Cover
_____	-DP12	1/2 [13] IP Drain Port in Box
_____	-DP14	1/4 [6] IP Drain Port in Box
_____	-DP38	3/8 [10] IP Drain Port in Box
_____	-HD	Heavy Duty Cover (-CI and -NB only)
_____	-K	Flashing Flange only
_____	-KC	Flashing Flange with Clamp Collar
_____	-NB	Polished Nickel Bronze Face
_____	-PB	Polished Bronze Face
_____	-RK	Hydrant Parts Repair Kit
_____	-VB	3/4 [19] Adapter Vacuum Breaker

**PARTS LIST**

Item	Name	Quan.
5	Operating Screw	1
6	O-Ring	1
7	Operating Coupling	1
8	Operating Rod	1
9	Washer Guide	1
10	Washer (neoprene)	1
11	Screw	1
17	O-Ring	2
20	Removable Seat	1

\*WHEN ORDERING REPLACEMENT PARTS SPECIFY DIM.

**REV. A      DATE: 05/05/08      C.N. NO. 98445**

**DWG. NO. P-15103      PRODUCT NO. Z1360-83**

ZURN INDUSTRIES, LLC. ♦ SPECIFICATION DRAINAGE OPERATION ♦ 1801 Pittsburgh Ave. ♦ Erie, PA 16514

Phone: 814/455-0921 ♦ Fax: 814/454-7929 ♦ World Wide Web: www.zurn.com

In Canada: ZURN INDUSTRIES LIMITED ♦ 3544 Nashua Drive ♦ Mississauga, Ontario L4V1L2 ♦ Phone: 905/405-8272 Fax: 905/405-1292