



# Z125-110

## 8-3/8 [213] DIAMETER ROOF DRAIN WITH FLUSH GRATE, 4[102] PERFORATED PVC STANDPIPE, & LOWER Z100 ISOLATION DRAIN

SPECIFICATION SHEET

TAG \_\_\_\_\_

Dimensional Data (inches and [ mm ]) are Subject to Manufacturing Tolerances and Change Without Notice

A Pipe Size In.	Approx. Wt. Lbs. [kg]	Dome Open Area Sq. In. [cm <sup>2</sup> ]
2-3-4-5-6 [51-76-102-127-152]	56 [25]	43 [277]

**ENGINEERING SPECIFICATION:** ZURN Z125-109  
8-3/8 [213] Diameter roof drain, Dura-Coated cast iron body with combination membrane flashing clamp/gravel guard and flush grate, perforated PVC standpipe, and D.C.C.I. Z100 Isolation drain.

**OPTIONS** (Check/specify appropriate options)

**PIPE SIZE**

- 2-3-4-5-6 [51-76-102-127-152]
- 2-3-4-6 [51-76-102-152]
- 2-3-4-5-6 [51-76-102-127-152]
- 2-3-4-5-6 [51-76-102-127-152]
- 2-3-4 [51-76-102]

(Specify size/type) **OUTLET**

- \_\_\_ IC Inside Caulk
- \_\_\_ IG Inside Gasket
- \_\_\_ IP Threaded
- \_\_\_ NH No-Hub
- \_\_\_ NL Neo-Loc

**'E' BODY HT. DIM.**

- 5-1/4 [133]
- 5-1/4 [133]
- 3-3/4 [95]
- 5-1/4 [133]
- 4-5/8 [117]

**PREFIXES**

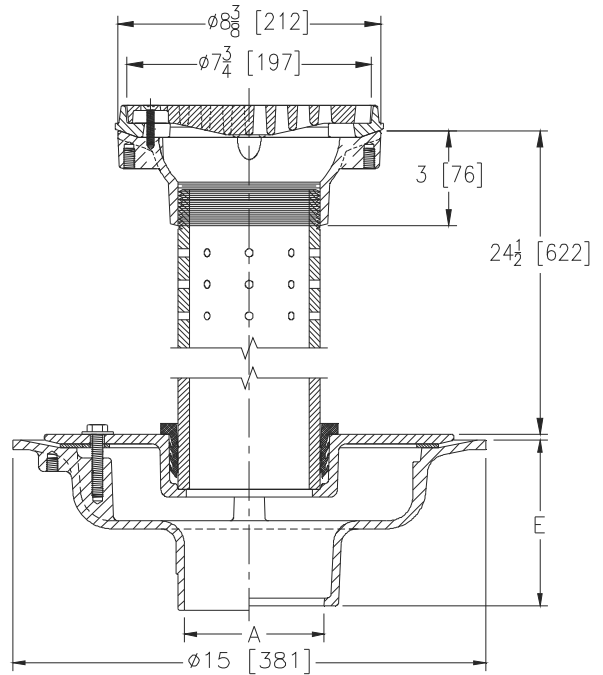
- \_\_\_ Z D.C.C.I. Body with Poly-Dome (4-1/4 [108] Dome Height)\*
- \_\_\_ ZA D.C.C.I. Body with Aluminum Dome (4-1/4 [108] Dome Height)
- \_\_\_ ZC D.C.C.I. Body with Low Silhouette Cast Iron Dome (4-1/4 [108] Dome Height)
- \_\_\_ ZRB D.C.C.I. Body with Plain Bronze Dome (3-1/4 [83] Dome Height)

**SUFFIXES (Upper Body)**

- \_\_\_ -AR Acid Resistant Epoxy Coated Finish
- \_\_\_ -E 2 [51] High Static Extension (Specify Height)
- \_\_\_ -G Galvanized Cast Iron
- \_\_\_ -SC Secondary Clamping Collar
- \_\_\_ -TC Neo-Loc Test Cap Gasket  
(2 - 4 [51 - 102] NL Bottom Outlet Only)
- \_\_\_ -VP Vandal Proof Secured Top
- \_\_\_ -84 Stainless Steel Perforated Gravel Guard
- \_\_\_ -85 Stainless Steel Perforated Extension
- \_\_\_ -89 2 [51] High External Water Dam

**SUFFIXES (Lower Body)**

- \_\_\_ -C Underdeck Clamp (Lower Body)
- \_\_\_ -G Galvanized Cast Iron
- \_\_\_ -R Sump Receiver (Lower Body)



\* Regularly furnished unless otherwise specified.