



Z886-HD-SW

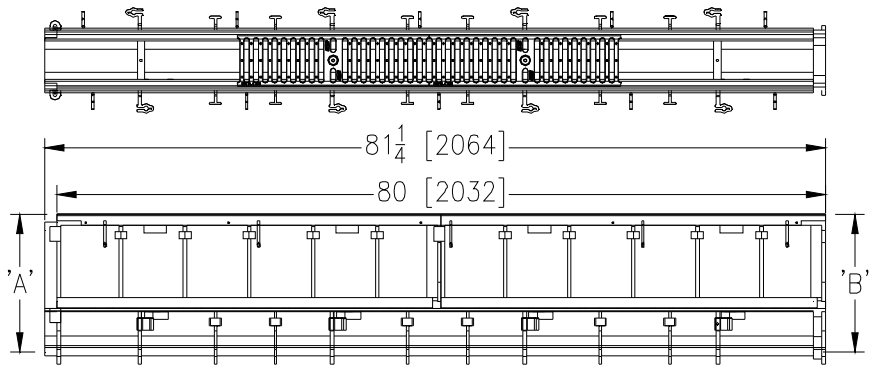
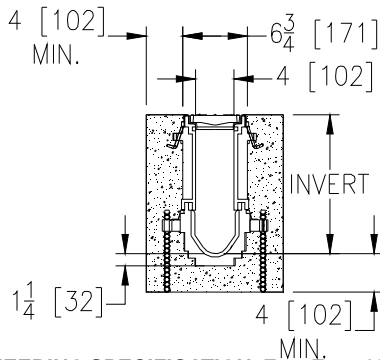
SPECIFICATION SHEET

6-3/4 [171] WIDE REVEAL TRENCH DRAIN SYSTEM W/ HEAVY-DUTY FRAME AND 9 [229] SIDEWALL EXTENSION

TAG _____

Dimensional Data (inches and [mm]) are Subject to Manufacturing Tolerances and Change Without Notice

SPECIFYING ENGINEER IS RESPONSIBLE FOR CONCRETE ENCASEMENT AND REINFORCING BASED UPON APPLICATION AND LOCAL CODES



NOTE: + Actual Channel length is 81 1/4 [2064] to allow for overlap.

ENGINEERING SPECIFICATION: Zurn Z886-HD-SW

Channels shall be 80 [2032] long, 6-3/4 [171] wide reveal and have a 4 [102] throat. Modular channel sections shall be made of 0% water absorbent High Density Polyethylene (HDPE). Shall have a positive mechanical connection between channel sections that will not separate during the installation and shall mechanically lock into the concrete surround every 10 [254]. Channels shall weigh less than 2.31 lbs. [1.05kg] per linear foot, have a smooth, 1-1/2 [38] radiused self cleaning bottom with a Manning's coefficient of .009 and .75% or neutral 0% built in slope. Channels shall have rebar clips standard to secure trench in its final location. Channels shall have HDPE SW Side Walls attached for an additional 9 [229] added to the standard channel invert for additional flow capability shown in chart below. Shall be provided with standard DGC grates that lock down to frame. Zurn 5-3/8 [137] wide reveal Ductile Iron Slotted Grate conforming to ASTM specification A536-84, Grade 80-55-06. Ductile Iron grate is rated class C per the DIN EN1433 top load classifications. Supplied in 20 [508] nominal lengths with 1/2 [13] wide slots, and 3/4 [19] bearing depth. Grate has an open area of 28.1 sq. in per ft. [60,308 sq. mm per meter]. The 0.105 [2.66] thick Heavy-Duty Carbon Steel Frame Assembly conforms to ASTM specification A36 with 10 - 4 [102] long concrete anchors per 80 [2032]. Grate lockdown bars are to be integral to the frame. The frame is supplied with a powder coated finish. All welds must be performed by a certified welder per ASTM standard AWS D1.1. Frames Shall be produced in the U.S.A.

PREFIX OPTIONS (Check/specify appropriate options)

___ Z Six-foot, Eight-inch High Density Polyethylene (HDPE)*

SUFFIX OPTIONS (Check/specify appropriate options)

Outlet Adapters Add/Each

- ___ -E1 Closed End Cap
- ___ -E2 2 [51] No-Hub End Outlet
- ___ -E3 3 [76] No-Hub End Outlet
- ___ -E4 4 [102] No-Hub End Outlet
- ___ -E6 6 [152] No-Hub End Outlet
- ___ -U2 2 [51] No-Hub Bottom Outlet
- ___ -U3 3 [76] No-Hub Bottom Outlet
- ___ -U4 4 [102] No-Hub Bottom Outlet
- ___ -U6 6 [152] No-Hub Bottom Outlet

Frame Options

- ___ -CBF Black Acid Resistant Coated Top Frame
- ___ -LD Light Duty Grates on Heavy Duty Frame

Grate Options (Load Classifications are per DIN EN1433)

- ___ -BDC Black Acid Resistant Epoxy Coated Ductile Grate - Class C
- ___ -BDE Black Acid Resistant Epoxy Coated Ductile Grate - Class E
- ___ -BG Galvanized Ductile Iron Bar Grate - Class C
- ___ -DBG Ductile Iron Cast Bar Grate - Class C
- ___ -DC Ductile Iron Solid Cover - Class C
- ___ -DGC Ductile Iron Slotted Grate - Class C *
- ___ -DGE Ductile Iron Slotted Grate - Class E
- ___ -GDC Galvanized Ductile Slotted Grate - Class C
- ___ -GDE Galvanized Ductile Slotted Grate - Class E
- ___ -GHPD Galvanized Heel-Proof Ductile Grate - Class B
- ___ -GHPDE Galvanized Heel-Proof Ductile Grate - Class E
- ___ -HPD Heel-Proof Ductile Slotted Grate - Class B
- ___ -HPDE Heel-Proof Ductile Slotted Grate - Class E
- ___ -RFGC Reinforced Slotted Galvanized Grate - Class C
- ___ -RPGC Reinforced Perforated Galvanized Grate - Class C
- ___ -RPGRC Reinforced Perforated Galvanized Reverse Punch Grate - Class C
- ___ -RFSC Reinforced Slotted Stainless Steel Grate - Class C
- ___ -RPSC Reinforced Perforated Stainless Steel Grate - Class C
- ___ -RPSRC Reinforced Perforated Stainless Steel Reverse Punch Grate - Class C

Miscellaneous Options

- ___ -VP Vandal-Proof Lockdown
- ___ -JC Joint Connector

Trench No.	'A' Shallow Inv.	'B' Deep Inv.	Flow		
			(cfs)	(gpm)	(lps)
8601SW	12.50 [318]	13.10 [333]	1.25	563	35
8602SW	13.10 [104]	13.70 [348]	1.32	595	38
8603SW	13.70 [119]	14.30 [135]	1.40	627	40
8603NSW	14.30 [135]	14.30 [135]	-	-	-
8604SW	14.30 [235]	14.90 [150]	1.47	659	42
8605SW	14.90 [150]	15.50 [165]	1.54	691	44
8606SW	15.50 [165]	16.10 [180]	1.61	723	46
8606NSW	16.10 [180]	16.10 [180]	-	-	-
8607SW	16.10 [180]	16.70 [196]	1.68	755	48
8608SW	16.70 [196]	17.30 [211]	1.75	788	50
8609SW	17.30 [211]	17.90 [226]	1.83	820	52
8610SW	17.90 [226]	18.50 [241]	1.90	852	54
8611SW	18.50 [241]	19.10 [257]	1.97	884	56
8612SW	19.10 [257]	19.70 [272]	2.04	916	58
8612NSW	19.70 [272]	19.70 [272]	-	-	-
8613SW	19.70 [272]	20.30 [287]	2.11	949	60
8614SW	20.30 [287]	20.90 [302]	2.19	981	62
8615SW	20.90 [302]	21.50 [318]	2.26	1013	64

MADE in the U.S.A. (Load Classifications are per DIN EN1433)

- ___ -BDE-USA Black Acid resistant Epoxy Coated Ductile Grate - Class E
- ___ -DGC-USA Ductile Iron Slotted Grate - Class C
- ___ -DGE-USA Ductile Iron Slotted Grate - Class E
- ___ -GDC-USA Galvanized Ductile Slotted Grate - Class C
- ___ -GDE-USA Galvanized Ductile Slotted Grate - Class E
- ___ -GHPDE-USA Galvanized Heel-Proof Ductile Grate - Class E
- ___ -HPDE-USA Heel-Proof Ductile Slotted Grate - Class E
- ___ -PPC Plastic Perforated Grate - Class C

Miscellaneous Options

- ___ -DB Bottom Dome Strainer

Decorative Grate Options (Load Classifications are per DIN EN1433)

- ___ -SBG Stainless Steel Bar Grate

*REGULARLY FURNISHED UNLESS OTHERWISE SPECIFIED

REV. D DATE: 02/11/13 C.N. NO. 124329

DWG. NO. 301721 PRODUCT NO. Z886-HD-SW

ZURN INDUSTRIES, LLC ♦ SPECIFICATION DRAINAGE OPERATION ♦ 1801 Pittsburgh Ave. ♦ Erie, PA 16514

Phone: 814455-0921 ♦ Fax: 814454-7929 ♦ World Wide Web: www.zurn.com

In Canada: ZURN INDUSTRIES LIMITED ♦ 3544 Nashua Drive ♦ Mississauga, Ontario L4V1L2 ♦ Phone: 905405-8272 Fax: 905405-1292