

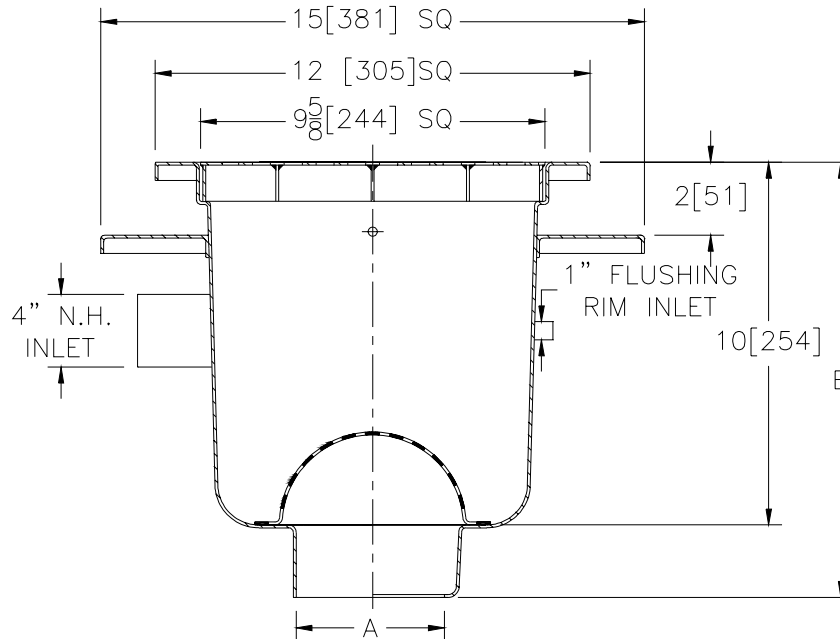


# Z-1752-115

## 12 X 12 [305 x 305] SANI-FLOR RECEPTOR 10 [254] SUMP DEPTH

TAG \_\_\_\_\_

Dimensional Data (inches and [ mm ]) are Subject to Manufacturing Tolerances and Change Without Notice



A- Pipe Size In.	Approx. Wt. Lbs. [kg]	Grate Open Area Sq. In. [cm <sup>2</sup> ]
2-3-4 [50-75-100]	22 [10]	23 [148]

**ENGINEERING SPECIFICATION: ZURN Z-1752-115**  
12 x 12 x 10 [305 x 305 x 254] deep, 14 gage, All Type 304 (CF8) Stainless Steel light duty Sani-Flor receptor with seepage pan with seepage holes, non-tilt, loose set full grate with 1/2 [13] square openings and anti-splash interior dome strainer.

**OPTIONS** (Check/specify appropriate options)

**PIPE SIZE**

- 2 thru 4 [50 thru 100]
- 2 [50]
- 3 [75]
- 4 [100]
- 2 thru 4 [50 thru 100]
- 2 thru 4 [50 thru 100]

(Specify size/type) **OUTLET**

- \_\_\_ IC Inside Caulk
- \_\_\_ IP Threaded
- \_\_\_ IP Threaded
- \_\_\_ IP Threaded
- \_\_\_ NH No-Hub
- \_\_\_ NL Neo-Loc

**'E' BODY HT. DIM.**

- 12 9/16 [319]
- 11 5/16 [287]
- 11 9/16 [294]
- 12 1/16 [306]
- 12 1/16 [306]
- 11 13/16 [300]

**PREFIXES**

- \_\_\_ Z- Type 304 (CF8) Stainless Steel Body\*
- \_\_\_ ZM- Type 316 (CF8M) Stainless Steel

**SUFFIXES**

- |         |                                       |         |  |
|---------|---------------------------------------|---------|--|
| ___ -DX | Dexotex Flange                        | ___ -5  | Grate w/4 [102] dia. x 3 3/4 [95] High Funnel                  |
| ___ -HD | Extra Heavy Duty Top Frame & Grate    | ___ -8  | Grate w/8 3/8 x 3 5/8 x 3 3/4 [213 x 92 x 95] High Oval Funnel |
| ___ -HP | Heelproof Grate                       | ___ -15 | Solid Cover  |
| ___ -IP | Female Threaded Outlet                | ___ -16 | 1/2 Solid Cover  |
| ___ -KC | Seepage Pan With Clamp Collar         | ___ -17 | 3/4 Solid Cover  |
| ___ -P  | 1/2 Trap Primer Connection            | ___ -18 | Solid Cover With 3 [76] Square Center Opening                  |
| ___ -Y  | Sediment Bucket                       |         |  |
| ___ -YS | Suspended Sediment Bucket             |         |  |
| ___ -1  | (Less) Grate                          |         |  |
| ___ -2  | 1/2 Grate                             |         |  |
| ___ -3  | 3/4 Grate                             |         |  |
| ___ -4  | Full Grate With 3 [76] Square Opening |         |  |

\*REGULARLY FURNISHED UNLESS OTHERWISE SPECIFIED

REV.	DATE: 6/18/99	C.N. NO. 82876
DWG. NO. P-14726 PRODUCT NO. Z-1752-115		