

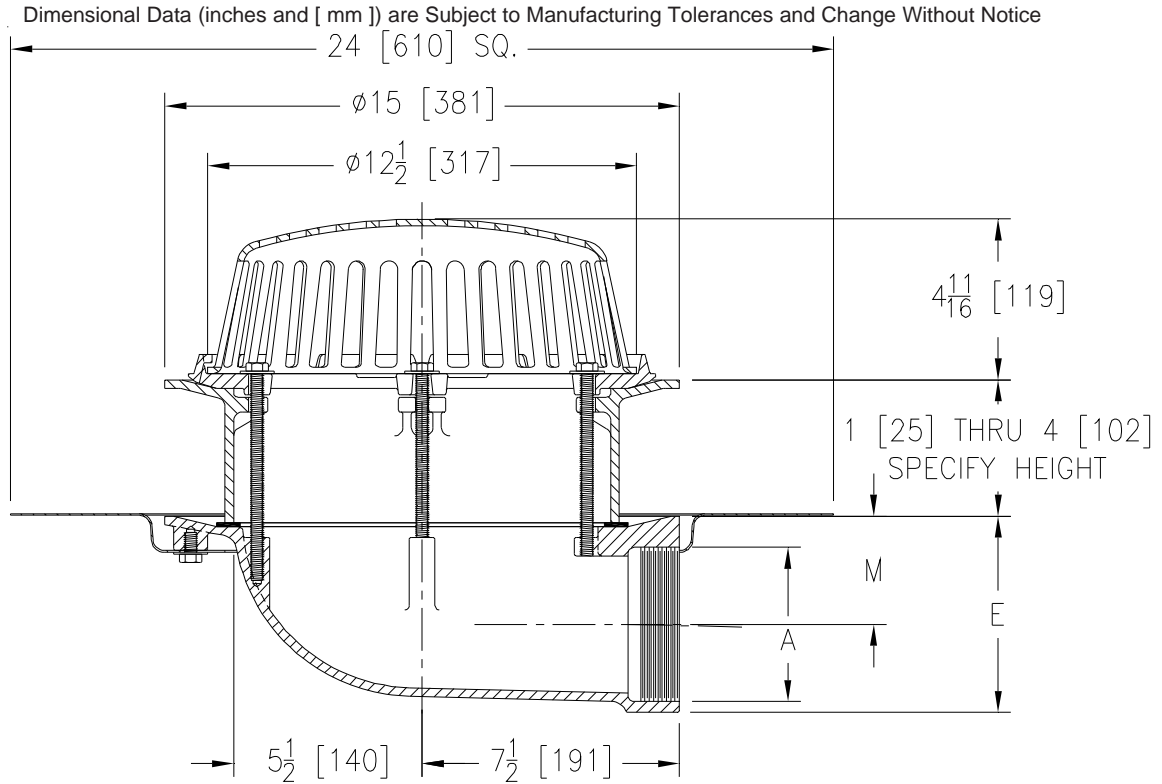


# Z100-DP-E-90

15[381] DIAMETER LATERAL ROOF DRAIN W/ STATIC EXTENSION,  
TOP-SET® DECK PLATE, AND LOW SILHOUETTE DOME

SPECIFICATION SHEET

TAG \_\_\_\_\_



Dimensions in Inches [mm]			Approx Wt. lbs [kg]	Dome Open Area in <sup>2</sup> [cm <sup>2</sup> ]
A Pipe Size	D	M		
2 [51]	5-1/2 [140]	4-1/4 [108]	56 [25]	103 [665]
3 [76]		3-11/16 [94]	54 [24]	
4 [102]		3-3/16 [81]	56 [25]	
6 [152]	5-7/8 [149]	4-1/4 [108]	61 [28]	

**ENGINEERING SPECIFICATION:** ZURN Z100-DP-E-90  
15" [381mm] Diameter lateral roof drain. Dura-Coated cast iron body with combination membrane flashing clamp/ gravel guard, static extension, Top-Set® deck plate, and low silhouette Poly-Dome.

**OPTIONS** (Check/specify appropriate options)

**PIPE SIZE**

2,3,4 [51,76,102]  
6 [152]

(Specify size/type) **OUTLET**

\_\_\_\_\_ IP Threaded  
\_\_\_\_\_ IP Threaded

**E BODY HT. DIM.**

5-3/4 [146]  
7-7/8 [200]

**PREFIXES**

- \_\_\_\_\_ Z D.C.C.I. Body with Poly-Dome\*
- \_\_\_\_\_ ZA D.C.C.I. Body with Aluminum Dome
- \_\_\_\_\_ ZC D.C.C.I. Body with Cast Iron Dome
- \_\_\_\_\_ ZRB D.C.C.I. Body with Plain Bronze Dome

**SUFFIXES**

- \_\_\_\_\_ -AR Acid Resistant Epoxy Coated
- \_\_\_\_\_ -AW 3/4 [19] to 4 [102] Adjustable Water Level Regulator (Specify Height) (ZC Only)
- \_\_\_\_\_ -EA Adjustable Extension Assembly
- \_\_\_\_\_ -FG Flush Grate (Replaces Dome Strainer)
- \_\_\_\_\_ -G Galvanized Cast Iron
- \_\_\_\_\_ -HD 6-3/4 [171] High Aluminum Dome (148 sq. in. [955 cm<sup>2</sup>] open area)
- \_\_\_\_\_ -SC Secondary Clamping Collar
- \_\_\_\_\_ -SS Stainless Mesh Screen Over Dome
- \_\_\_\_\_ -ST Dome w/ Solid Top (ZA and ZC Only)
- \_\_\_\_\_ -VP Vandal Proof Secured Top
- \_\_\_\_\_ -W2 2 [51] Internal Water Dam
- \_\_\_\_\_ -W3 3 [76] Internal Water Dam
- \_\_\_\_\_ -W4 4 [102] Internal Water Dam
- \_\_\_\_\_ -84 Stainless Steel Perforated Gravel Guard
- \_\_\_\_\_ -85 Stainless Steel Perforated Extension
- \_\_\_\_\_ -89 2 [51] High External Water Dam

\* Regularly furnished unless otherwise specified.