



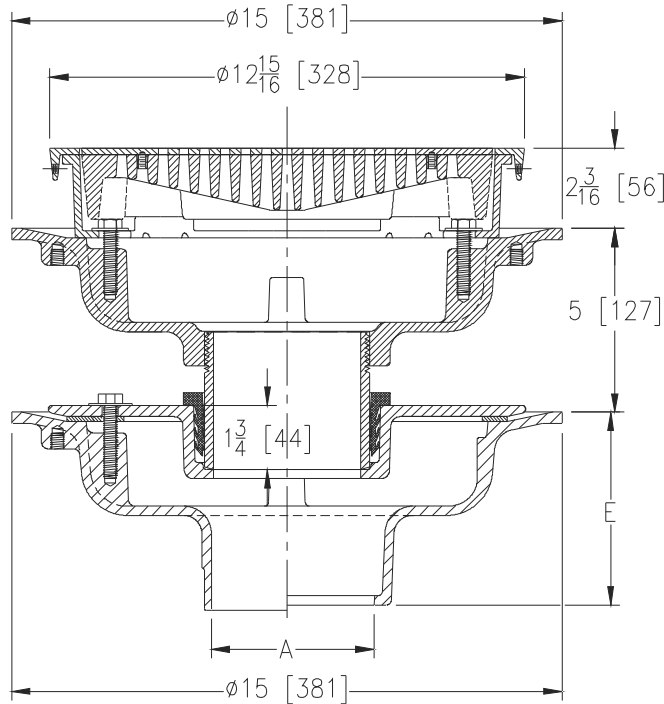
Z505-83

12 [305] HEAVY-DUTY ISOLATION DECK DRAIN W/ VANDAL-PROOF, HEEL-PROOF VENEER

SPECIFICATION SHEET

TAG _____

Dimensional Data (inches and [mm]) are Subject to Manufacturing Tolerances and Change Without Notice



| A Pipe Size In. [mm] | Approx. Wt. Lbs. [kg] | Grate Open Area Sq. In. [cm ²] |
|-------------------------------|-----------------------------|--|
| 2,3,4,5,6 [51,76,102,127,152] | 84 [38] | 28 [180] |
| 8,10 [203,254] | 86 [39] | |

ENGINEERING SPECIFICATION: ZURN Z505-83

12" [305mm] Diameter top drain, Dura-Coated cast iron body with bottom outlet, seepage pan and combination membrane flashing clamp and frame for heavy-duty, cast iron, vandal-proof, slotted grate, heel-proof veneer cover and isolation deck drain.

OPTIONS (Check/specify appropriate options)

PIPE SIZE

2,3,4,5,6,8,10 [51,76,102,127,152,203,254]
 2,3,4,6 [51,76,102,152]
 2,3,4,5,6,8,10 [51,76,102,127,152,203,254]
 2,3,4,5,6,8,10 [51,76,102,127,152,203,254]
 2,3,4 [51,76,102]

(Specify size/type) OUTLET

___ IC Inside Caulk
 ___ IG Inside Gasket
 ___ IP Threaded
 ___ NH No-Hub
 ___ NL Neo-Loc

'E' BODY HT. DIM.

5-1/4 [133]
 5-1/4 [133]
 3-3/4 [95]
 5-1/4 [133]
 4-5/8 [117]

PREFIXES

___ ZB D.C.C.I Body w/Polished Bronze Top*
 ___ ZN D.C.C.I Body w/Polished Nickel Bronze Top

SUFFIXES

| | |
|---|---|
| ___ -AR Acid Resistant Epoxy Coated Cast Iron | ___ -SS Stainless Steel Mesh Liner for Bucket |
| ___ -C Underdeck Clamp (Lower Body) | ___ -TC Neo-Loc Test Cap Gasket (2,3,4[51,76,102] NL Bottom Outlet Only) |
| ___ -DG Duresist Grate | ___ -V Backwater Valve (See Z1099) |
| ___ -F 2 [51] High Extension | ___ -YA Aluminum Sediment Bucket |
| ___ -G Galvanized Cast Iron | ___ -YC Cast Iron Sediment Bucket |
| ___ -P Trap Primer Connection | |
| ___ -R Sump Receiver (Lower Body) | |
| ___ -S Secondary Strainer | |

* Regularly furnished unless otherwise specified.