



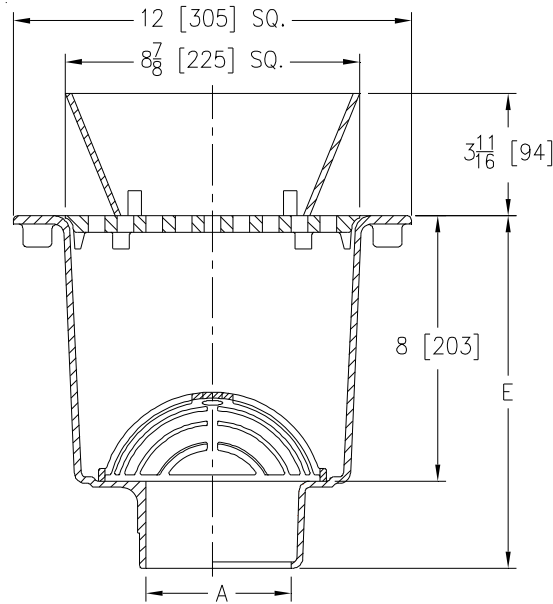
Z1901-8

12 X 12 [305 X 305] A.R.E. SANI-FLOR RECEPTOR
 8 [203] SUMP DEPTH W/ GRATE & 8-7/8 X 3-5/8 X 3-3/4
 [225 X 92 X 95] HIGH OVAL FUNNEL

SPECIFICATION SHEET

TAG _____

Dimensional Data (inches and [mm]) are Subject to Manufacturing Tolerances and Change Without Notice



A -Pipe Size In. [mm]	Approx. Wt. Lbs [kg]	Grate Open Area Sq. In. [cm2]
2,3,4 [51,76,102]	34 [15]	31 [200]

ENGINEERING SPECIFICATION: ZURN Z1901-8

Sani-Flor receptor 12" x 12" x 8" [305mm x 305mm x 203mm] deep cast iron body and grate w/ 8-7/8" x 3-5/8" x 3-3/4" [225mm x 92mm x 95mm] high oval funnel, with white acid resisting porcelain enamel interior and top, black ground enamel exterior coating, and white ABS anti-splash interior bottom dome strainer.

OPTIONS (Check/specify appropriate options)

PIPE SIZE

- 3, 4 [76, 102]
- 2, 3, 4 [51, 76, 102]
- 2, 3, 4 [51, 76, 102]

(Specify size/type) **OUTLET**

- ___ IC Inside Caulk
- ___ NH No-Hub
- ___ NL Neo-Loc

'E' BODY HT. DIMENSION

Z	ZN / ZS
10-5/8 [270]	11-1/8 [283]
10-5/8 [270]	11-1/8 [283]
10 [254]	10-1/2 [267]

PREFIXES

- ___ Z Cast Iron Body with White A.R.E. Interior*
- ___ ZN Cast Iron Body with White A.R.E. Interior, 12-1/2 [317] Square Nickel Bronze Frame and Full Grate with 1/2 [13] Openings.
- ___ ZS Cast Iron Body with White A.R.E. Interior, 12-1/2 [317] Square Stainless Steel Frame and Full Grate with 1/2 [13] Openings.

SUFFIXES

- ___ -DX Dex-O-Tex Flange (ZN only)
- ___ -HD Stainless Steel Frame w/ Extra-Heavy Duty Stainless Steel Grate (ZS only)
- ___ -HP Heel-Proof Grate (ZN only)
- ___ -K Anchor Flange
- ___ -KC Anchor Flange with Seepage Holes and Clamp Collar
- ___ -LD (Less) Bottom Dome Strainer
- ___ -P 1/2 [13] Trap Primer Connection (See Z1023)
- ___ -TC Neo-Loc Test Cap Gasket (2, 3, 4 [51, 76, 102] NL Bottom Outlet Only)
- ___ -VPS Vandal-Proof Strainer
- ___ -11 Vandal-Proof Secured Grate (ZN Only)
- ___ -23 Aluminum Bucket
- ___ -25 White A.R.C. Bucket
- ___ -31 Stainless Steel Mesh Liner for Bucket
- ___ -32 Aluminum Dome Strainer
- ___ -33 White A.R.C. Anti-Splash Bottom Dome Strainer

* Regularly furnished unless otherwise specified.