



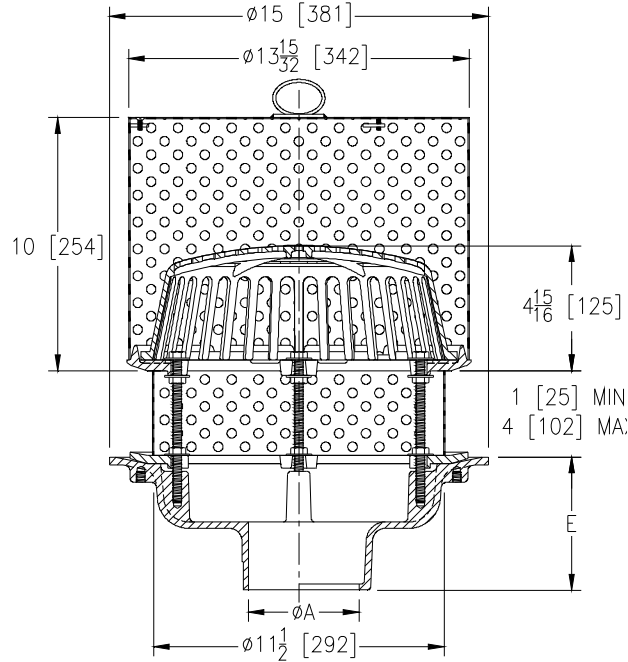
# Z100-207

SPECIFICATION SHEET

## 15 [381] DIAMETER ROOF DRAIN W/ COVERED PERFORATED GRAVEL GUARD WITH LIFT RING AND PERFORATED EXTENSION

TAG \_\_\_\_\_

Dimensional Data (inches and [mm]) are Subject to Manufacturing Tolerances and Change Without Notice



A Pipe Size In.	Approx. Wt. Lbs. [kg]	Dome Open Area Sq. In. [cm <sup>2</sup> ]
3-4 [76-102]	33 [15]	103 [665]
6-8 [152-203]	35 [16]	

### ENGINEERING SPECIFICATION: ZURN Z100-207

15 [381] Diameter roof drain. Dura-Coated cast iron body with combination membrane flashing clamp/gravel guard, covered perforated stainless steel gravel guard with lift ring, perforated extension with clamp collar and low silhouette Poly-Dome strainer.

### OPTIONS (Check/specify appropriate options)

#### PIPE SIZE

- 3, 4, 6, 8 [76, 102, 152, 203]
- 3, 4, 6, 8 [76, 102, 152, 203]
- 3, 4, 6, 8 [76, 102, 152, 203]
- 3, 4 [76, 102]
- 6 [152]

#### (Specify size/type) OUTLET

- \_\_\_\_\_ IC Inside Caulk
- \_\_\_\_\_ IP Threaded
- \_\_\_\_\_ NH No-Hub
- \_\_\_\_\_ NL Neo-Loc
- \_\_\_\_\_ NL Neo-Loc

#### E BODY HT. DIM.

- 5 1/4 [133]
- 3 3/4 [95]
- 5 1/4 [133]
- 4 9/16 [116]
- 5 7/16 [112]

#### PREFIXES

- \_\_\_\_\_ Z D.C.C.I. Body with Poly-Dome\*
- \_\_\_\_\_ ZA D.C.C.I. Body with Aluminum Dome
- \_\_\_\_\_ ZC D.C.C.I. Body with Cast Iron Dome
- \_\_\_\_\_ ZRB D.C.C.I. Body with Plain Bronze Dome

#### SUFFIXES

- \_\_\_\_\_ -AC Angular Underdeck Clamp
- \_\_\_\_\_ -AR Acid Resistant Epoxy Coated
- \_\_\_\_\_ -C Underdeck Clamp
- \_\_\_\_\_ -DE Deck Extension
- \_\_\_\_\_ -DP Top-Set® Deck Plate (Replaces both the -C and -R)
- \_\_\_\_\_ -DR Top-Set® Drain Riser
- \_\_\_\_\_ -E Static Extension 1 [25] thru 4 [102] (Specify Ht.)
- \_\_\_\_\_ -EA Adjustable Extension Assembly  
2 1/8 [54] thru 3 1/2 [89]
- \_\_\_\_\_ -EB Top-Set® Adjustable Extension Assembly
- \_\_\_\_\_ -G Galvanized Cast Iron
- \_\_\_\_\_ -GD Galvanized Cast Iron Dome (ZC Only)
- \_\_\_\_\_ -HD 6 3/4 [171] High Aluminum Dome Strainer  
(148 Sq. In. [955 cm<sup>2</sup>] Open Area) (ZA Only)
- \_\_\_\_\_ -R Roof Sump Receiver
- \_\_\_\_\_ -SC Secondary Clamp Collar
- \_\_\_\_\_ -TC Neo-Loc Test Cap Gasket  
(3 - 4 [76 - 102] NL Bottom Outlet Only)
- \_\_\_\_\_ -VP Vandal-Proof Secured Top
- \_\_\_\_\_ -W2 2 [51] Internal Water Dam
- \_\_\_\_\_ -W3 3 [76] Internal Water Dam
- \_\_\_\_\_ -W4 4 [102] Internal Water Dam
- \_\_\_\_\_ -89 2 [51] High External Water Dam
- \_\_\_\_\_ -90 90° Threaded Side Outlet Body  
(2 thru 6 [51 or 152])

\*REGULARLY FURNISHED UNLESS OTHERWISE SPECIFIED

REV. A	DATE: 10/29/09	C.N. NO. 110374
DWG. NO. P-15742 PRODUCT NO. Z100-207		

ZURN INDUSTRIES, LLC ♦ SPECIFICATION DRAINAGE OPERATION ♦ 1801 Pittsburgh Ave. ♦ Erie, PA 16514

Phone: 814/455-0921 ♦ Fax: 814/454-7929 ♦ World Wide Web: www.zurn.com

In Canada: ZURN INDUSTRIES LIMITED ♦ 3544 Nashua Drive ♦ Mississauga, Ontario L4V1L2 ♦ Phone: 905/405-8272 Fax: 905/405-1292