

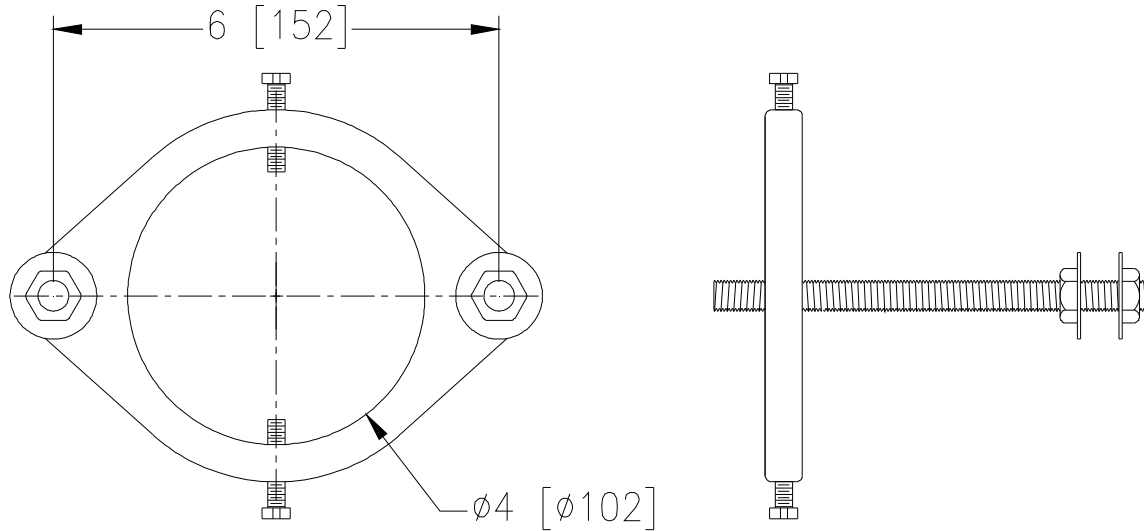


**Z1200-FLRMNT-ADPT**  
ADAPTER FLANGE ASSEMBLY FOR  
FLOOR MOUNTED, BACK OUTLET WATER CLOSETS

SPECIFICATION SHEET

TAG \_\_\_\_\_

Dimensional Data (inches and [ mm ]) are Subject to Manufacturing Tolerances and Change Without Notice



\* SET SCREWS ADJUSTABLE FOR 3 [76] PIPE

**ENGINEERING SPECIFICATION: ZURN Z1200-FLRMNT-ADPT**

Cast Iron adapter flange with set screws, fixture bolts and trim for floor mounted, back outlet water closets.

\* Regularly furnished unless otherwise specified.

Zurn Industries, LLC | Specification Drainage Operation  
1801 Pittsburgh Avenue, Erie, PA U.S.A. 16502 · Ph. 855-663-9876, Fax 814-454-7929  
In Canada | Zurn Industries Limited  
3544 Nashua Drive, Mississauga, Ontario L4V 1L2 · Ph. 905-405-8272, Fax 905-405-1292  
[www.zurn.com](http://www.zurn.com)

Rev. B  
Date: 02/20/15  
C.N. No. 132270  
Prod. | Dwg. No. Z1200-FLRMNT-ADPT