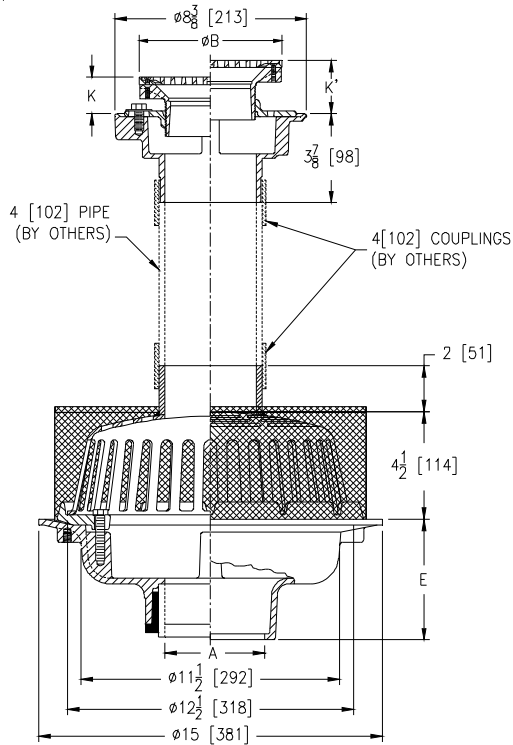




Z100-214
15 [381] DIAMETER COMBINATION MAIN ROOF DRAIN SPECIFICATION SHEET
AND 8 3/8 [213] BODY ASSEMBLY W/
"TYPE BZ" LEVELING STRAINER

TAG _____

Dimensional Data (inches and [mm]) are Subject to Manufacturing Tolerances and Change Without Notice



Dimensions In Inches						Approx. Wt. Lbs. [kg]	Strainer Open Area Sq. In. [cm ²]
A - Pipe Size	B Strainer Dia.	K		K'			
		Min.	Max.	Min.	Max.		
2-3 [51-76]	5 [127]	1 1/16 [27]	1 15/16 [49]	1 3/4 [44]	2 7/8 [73]	34 [15]	7 [45]
2-3-4 [51-76-102]	6 [152]	1 1/16 [27]	1 15/16 [49]	1 3/4 [44]	2 7/8 [73]	36 [16]	9 [58]

ENGINEERING SPECIFICATION: ZURN ZN100-214

15 [381] Diameter roof drain. Dura-Coated lower cast iron body with combination membrane flashing clamp/gravel guard, low silhouette dome with 4 [102] standpipe and stainless steel mesh screen over dome. Upper drain consists of Dura-Coated cast iron body with bottom outlet, complete with invertible membrane flashing clamp with seepage slots and "TYPE BZ" polished nickel bronze leveling strainer. **NOTE:** 4 [102] drainage pipe and no-hub couplings provided by others.

OPTIONS (Check/specify appropriate options)

PIPE SIZE

- 2 thru 4 [51 thru 152]
- 2 thru 4 [51 thru 152]
- 2 thru 4 [51 thru 152]
- 2,3,4 [51,76,102]

(Specify size/type) **OUTLET**

- ___ IC Inside Caulk
- ___ IP Threaded
- ___ NH No-Hub
- ___ NL Neo-Loc

E BODY HT. DIM.

- 5 1/4 [133]
- 3 3/4 [95]
- 5 1/4 [133]
- 4 9/16 [116]

PREFIXES

- ___ ZB D.C.C.I. Body Assembly w/ Polished Bronze Top
- ___ ZN D.C.C.I. Body Assembly w/ Polished Nickel Bronze Top*

SUFFIXES

- ___ -AC Angular Underdeck Clamp
- ___ -AR Acid Resistant Epoxy Coated Finish
- ___ -C Underdeck Clamp
- ___ -CP Chrome-Plated Bronze Top
- ___ -DP Top-Set® Deck Plate (Replaces both the -C and -R)
- ___ -G Galvanized Cast Iron
- ___ -R Roof Sump Receiver
- ___ -U 1-3 [25-76] High Extension Adapter
- ___ -VP Vandal Proof Secured Top

REV.	DATE: 10/2/09	C.N. NO. 110277
DWG. NO. P-15778 PRODUCT NO. Z100-214		

*REGULARLY FURNISHED UNLESS OTHERWISE SPECIFIED