



Z1800-12B-82

11-9/16 [294] DIAMETER ROUND INDUSTRIAL FLOOR DRAIN W/ 3 [76] TALL SOLID RIM

SPECIFICATION SHEET

TAG _____

Dimensional Data (inches and [mm]) are Subject to Manufacturing Tolerances and Change Without Notice

Engineering Specification: ZURN Z1800-12B-82
11-9/16" [294mm] Diameter x 6" [152mm] deep, 18 gage, all type 304 (CF8) stainless steel round industrial floor drain, reinforced top frame with 3" [76mm] tall solid rim for partially recessed installation, perforated removable sediment bucket with lift handle, pre-sloped bottom sump, and pre-pour stabilizing anchor tabs.

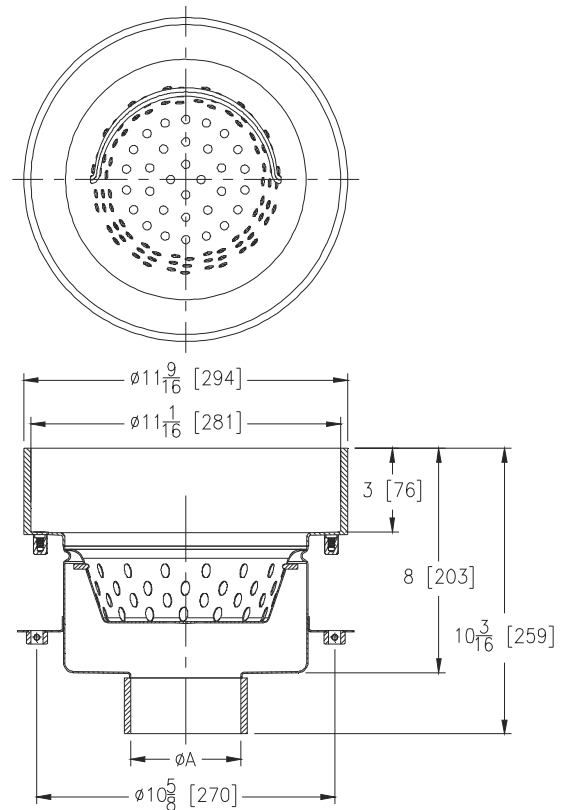
Approx. Wt. Lbs. [kg]	Grate Open Area Sq. In. [cm ²]
20 [9]	9.7 [63]

Options (Check/specify appropriate options)

Pipe Size (ØA) (Specify size/type) **Outlet**
 3,4,6 [76,102,152] ___ BW Butt-Weld (Sch. 10)
 3,4,6 [76,102,152] ___ NH No-Hub

Prefixes
 ___ Z Type 304 (CF8) Stainless Steel*
 ___ ZM Type 316 (CF8M) Stainless Steel

Suffixes
 ___ -B Bell Trap/Solid Sediment Bucket
 ___ -KC Anchor Flange w/Seepage Holes and Clamp Collar
 ___ -P ø1/2 [13] Trap Primer Connection
 ___ -SA Stabilizer Assembly (Z1036)
 3 [76] and 4 [102] outlets only
 ___ -TS Top Secured Grate
 ___ -1 Less Grate
 ___ -3PT 3 [76] Stainless Steel P-Trap
 ___ -4PT 4 [102] Stainless Steel P-Trap
 ___ -6PT 6 [152] Stainless Steel P-Trap



* Regularly furnished unless otherwise specified.