



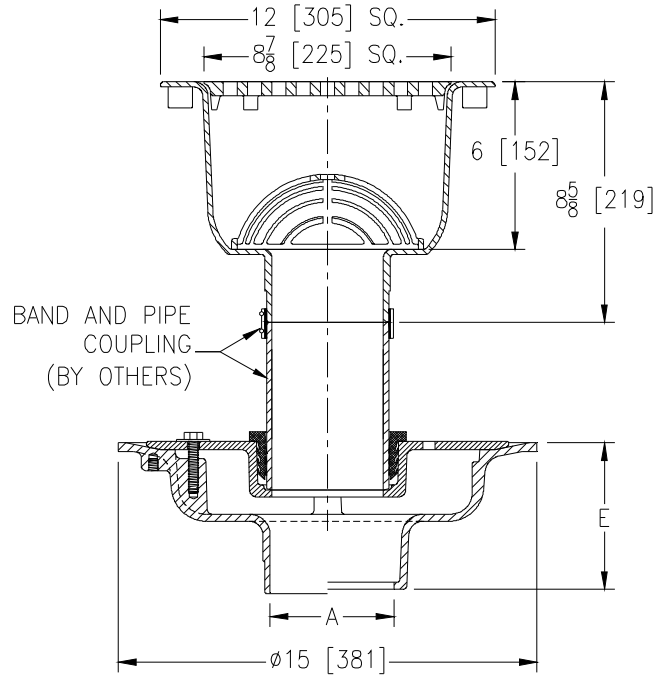
Z1900-91

SPECIFICATION SHEET

12 x 12 [305 x 305] A.R.E. SANI-FLOR RECEPTOR W/
6 [152] SUMP, LOWER Z624 BODY AND PIPING (BY OTHERS)

TAG _____

Dimensional Data (inches and [mm]) are Subject to Manufacturing Tolerances and Change Without Notice



A Pipe Size	Approx. Wt. Lbs. [kg]	Grate Open Area Sq. In. [cm ²]
2, 3, 4 [51, 76, 102]	42 [19]	18 [116]
5, 6 [127, 152]		

ENGINEERING SPECIFICATION: ZURN Z1900-91

Sani-Flor Receptor 12 x 12 x 6 [305 x 305 x 152] deep cast iron body and square slotted light duty grate, with white acid resisting porcelain enamel interior and top, complete with white ABS anti-splash interior bottom dome strainer. Lower Z624 Dura-Coated cast iron lower body, clamp collar with weep holes, neoprene flex gasket, and 4" No-Hub pipe coupling and band (by others).

OPTIONS (Check/specify appropriate options)

PIPE SIZE

- 2 thru 6 [51 thru 152]
- 2 thru 4, 6 [51 thru 102, 152]
- 2 thru 6 [51 thru 152]
- 2 thru 6 [51 thru 152]
- 2 thru 4 [51 thru 102]

(Specify size/type) OUTLET

- ___ IC Inside Caulk
- ___ IG Inside Caulk w/Sealtrol Gskt.
- ___ IP Threaded
- ___ NH No-Hub
- ___ NL Neo-Loc

'E' BODY HT. DIM.

- 5 1/4 [133]
- 5 1/4 [133]
- 3 3/4 [95]
- 5 1/4 [133]
- 4 5/8 [117]

PREFIXES

- ___ Z Cast Iron Body with White A.R.E. Interior*

SUFFIXES

- | | |
|--|--|
| ___ -AA All Acid Resisting Epoxy (Lower Body) | ___ -4 Full Grate with Square Center Opening (Upper Body) |
| ___ -AR Acid Resisting Epoxy Coated Cast Iron (Lower Body) | ___ -23 Aluminum Bucket (Upper Body) |
| ___ -G Galvanized Cast Iron (Lower Body) | ___ -25 White A.R.C. Bucket (Upper Body) |
| ___ -K Anchor Flange (Upper Body) | ___ -31 Stainless Steel Mesh Liner for Bucket (Upper Body) |
| ___ -KC Anchor Flange with Seepage Holes and Clamp Collar (Upper Body) | ___ -32 Aluminum Dome Strainer (Upper Body) |
| ___ -LD (Less) Bottom Dome Strainer | ___ -33 White A.R.C. Anti-Splash Bottom Dome Strainer |
| ___ -TC Neo-Loc Test Cap Gasket (4 [102] NL Bottom Outlet Only) (Lower Body) | ___ -34 N.B. Anti-Splash Bottom Dome Strainer (Upper Body) |
| ___ -1 (Less) Grate (Upper Body) | |
| ___ -2 1/2 Grate (Upper Body) | |
| ___ -3 3/4 Grate (Upper Body) | |

*REGULARLY FURNISHED UNLESS OTHERWISE SPECIFIED

REV. DATE: 11/10/10 C.N. NO. 120360

DWG. NO. 303352 PRODUCT NO. Z1900-91

ZURN INDUSTRIES, LLC. ♦ SPECIFICATION DRAINAGE OPERATION ♦ 1801 Pittsburgh Ave. ♦ Erie, PA 16514

Phone: 814/455-0921 ♦ Fax: 814/454-7929 ♦ World Wide Web: www.zurn.com

In Canada: ZURN INDUSTRIES LIMITED ♦ 3544 Nashua Drive ♦ Mississauga, Ontario L4V1L2 ♦ Phone: 905/405-8272 Fax: 905/405-1292