



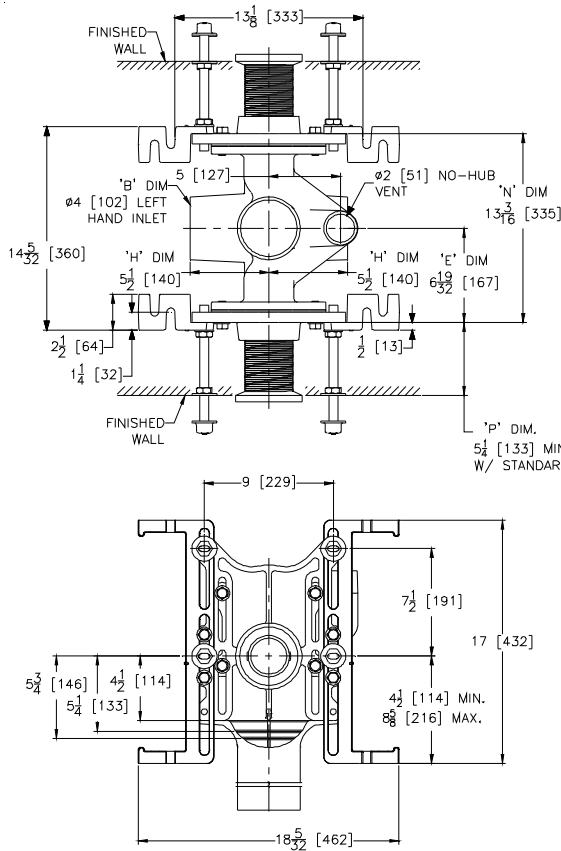
Z1202-2ND4-RYK17

EZCARRY® ADJUSTABLE VERTICAL BACK-TO-BACK HIGH PERFORMANCE SIPHON JET NO-HUB WATER CLOSET CARRIER SYSTEM W/ 17 [432] ONE PIECE RYK FOOT SUPPORT AND TWO SIDE INLETS

SPECIFICATION SHEET

TAG _____

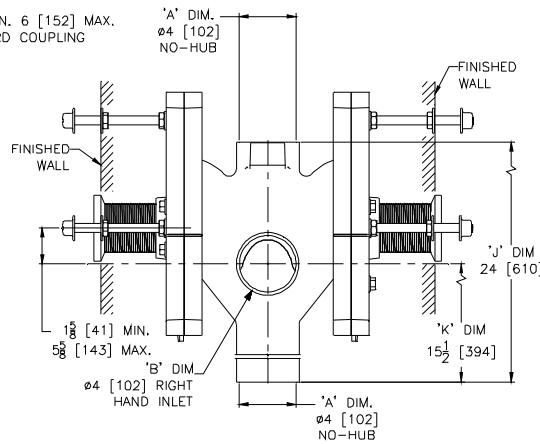
Dimensional Data (inches and [mm]) are Subject to Manufacturing Tolerances and Change Without Notice



Product Number	Approx. Wt. Lbs [kg]
Z1202-2ND4-RYK17	126 [57]

Note:

1. Z coupling, Min. 'P' Dim. Obtainable = 2 [51]. Z-Set™ Coupling, Min. 'P' Dim. Obtainable = 4-1/4 [108] or 2-1/16 [52] for 12 [305] NPT
2. Feet bolted to floor using min. 1/2 [13] dia. anchors and back slots on carrier feet.
3. Auxiliary inlet available right (-JR) or left (-JL) or both sides (-JJ) when specified.



ENGINEERING SPECIFICATION: ZURN Z1202-2ND4-RYK17

EZCarry® vertical siphon jet water closet carrier system with high performance waterway and 4" [102mm] no-hub connections. System includes Dura-Coated cast iron double main fitting with hydro-mechanically optimized sweep and extended 2" [51mm] vent, with two 4" [102mm] side inlets, adjustable gasketed faceplates, floor mounted 17" [432mm] one piece RYK foot supports with top anchoring pre-fab support base, fixture bolts, trim, stud protectors, bonded "Neo-Seal" gaskets, and corrosion resistant, adjustable 3" [76mm] diameter X 6" [152mm] couplings with integral test caps designed to increase flow velocity and line carry. EZCarry® system complies with the requirements of ASME A112.6.1M up to a 500 lbs [227 kg] static load rating.

OPTIONS (Check/specify appropriate options)

___ Z1202-2ND4-RYK17 4 [102] No-Hub Stack, Double Inlets, Two 4 [102] Side Inlets, 2 [51] Vent

PREFIXES

- ___ Z D.C.C.I. System with Zurn ZZ Adjustable Coupling*
- ___ ZQ D.C.C.I. System with NPT Faceplate, Non-Adjustable Coupling

SUFFIXES

- ___ -A Auxiliary Support Assembly (For 'P' Dim. Greater than 18 [457])
- ___ -CC Corrosion Resistant Cast Iron Coupling (2-1/4 [57] to 12 [305])
- ___ -CE EZ-Set® Coupling (NPSM 6 [152], 12 [305] or custom) (NPT 12 [305] or custom)
- ___ -CL Custom Length Standard Coupling with Integral Test Cap (Specify Length 4, 8, 10, 12 [102, 203, 254, 305])
- ___ -CS 2-1/4 [57] Polymer Coupling with Integral Test Cap
- ___ -F Floor Mounted, Back Outlet Fixture Support
- ___ -G Galvanized Cast Iron
- ___ -M Auxiliary Foot Support (for 'P' Dim. 7 thru 18 [178 thru 457])
- ___ -VP Vandal-Proof Trim
- ___ -45 Finishing Frame for Siphon Jet System
- ___ -50 Flush Valve Supply Support for Water Closets

* Regularly furnished unless otherwise specified.