

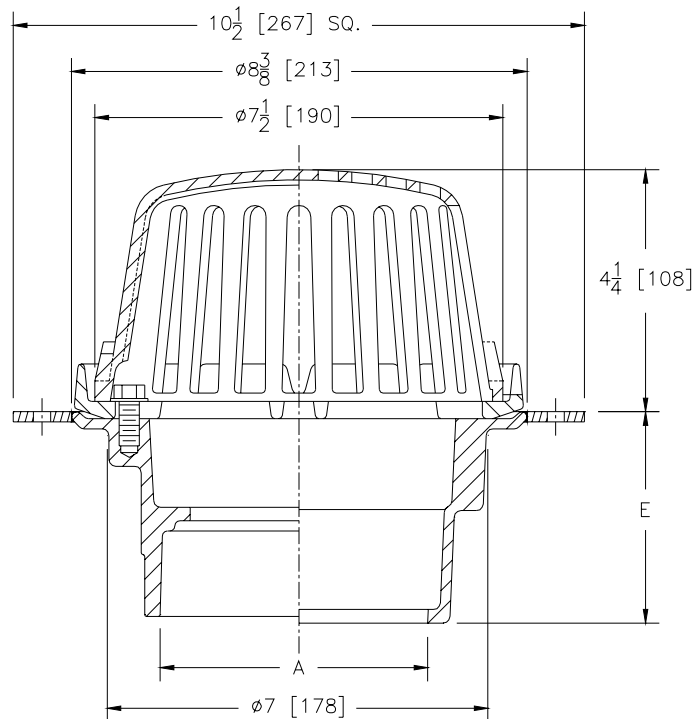


Z125-100
8 3/8 [213] DIAMETER ROOF DRAIN
LOW SILHOUETTE DOME

SPECIFICATION SHEET

TAG _____

Dimensional Data (inches and [mm]) are Subject to Manufacturing Tolerances and Change Without Notice



A- Pipe Size In.	Approx. Wt. Lbs. [kg]	Dome Open Area Sq. In. [cm ²]
2-3-4 [50-75-100]	14 [6]	43 [277]

ENGINEERING SPECIFICATION: ZURN Z125-100 8 3/8 [213] Diameter roof drain, Dura-Coated cast iron body with combination membrane flashing clamp/gravel guard, steel securing flange and low silhouette cast iron dome.

OPTIONS (Check/specify appropriate options)

PIPE SIZE

(Specify size/type) **OUTLET**

E' BODY HT. DIM.

2, 3, 4 [50, 75, 100]	_____ IC	Inside Caulk	3 7/8 [98]
2, 3, 4 [50, 75, 100]	_____ IP	Threaded	2 5/8 [67]
2, 3, 4 [50, 75, 100]	_____ NH	No-Hub	3 7/8 [98]
2, 3, 4 [50, 75, 100]	_____ NL	Neo-Loc	4 5/8 [117]

PREFIXES

- _____ Z D.C.C.I. Body with Dome*
- _____ ZA D.C.C.I. Body with Aluminum Dome
- _____ ZRB D.C.C.I. Body with Plain Bronze Dome

SUFFIXES

- | | | | |
|-----------|--|-----------|---|
| _____ -AR | Acid Resistant Epoxy Coated Finish | _____ -84 | Stainless Steel Perforated Gravel Guard |
| _____ -BS | Bronze Mesh Screen Over Dome | _____ -85 | Stainless Steel Perforated Extension |
| _____ -C | Underdeck Clamp | _____ -89 | 2" [51] High External Water Dam |
| _____ -E | Static Extension 1 [25] thru 4 [102] (Specify Ht.) | _____ -90 | 90° Threaded Side Outlet Body |
| _____ -G | Galvanized Cast Iron | | |
| _____ -R | Roof Sump Receiver | | |
| _____ -SC | Secondary Clamping Collar | | |
| _____ -SS | Stainless Steel Mesh Screen Over Dome | | |
| _____ -VP | Vandal Proof Secured Top | | |
| _____ -XJ | Vertical Expansion Joint (See Z190) | | |

REV. DATE: 3/6/03 C.N. NO. 90224

DWG. NO. P-14966 PRODUCT NO. Z125-100

*REGULARLY FURNISHED UNLESS OTHERWISE SPECIFIED