



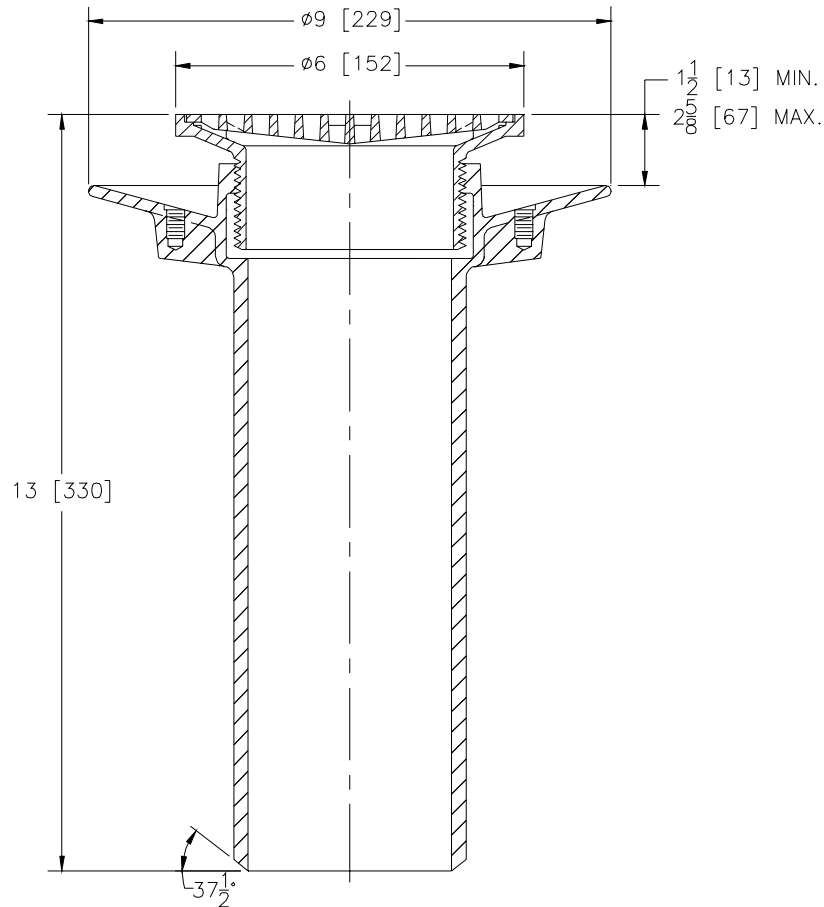
Z1726-80

ADJUSTABLE FLOOR DRAIN MEDIUM DUTY

SPECIFICATION SHEET

TAG _____

Dimensional Data (inches and [mm]) are Subject to Manufacturing Tolerances and Change Without Notice



A- Pipe Size In.	Approx. Wt. Lbs. [kg]	Grate Open Area Sq. In. [cm ²]
2-3-4-6 [50-75-100-150]	14 [6]	9 [58]

ENGINEERING SPECIFICATION: ZURN Z1726-80

All Type 304 (CF8) stainless steel adjustable floor drain with anchor flange (clamp collar with seepage holes, when specified), and 6 [152] diameter medium duty vertically adjustable, satin finish top.

OPTIONS (Check/specify appropriate options)

PIPE SIZE

2 thru 4 [50 thru 100]
6 [150]

(Specify size/type) **OUTLET**

_____ BW Butt-weld (Specify Schedule 10, 40 or 80)
_____ BW Butt-weld (Specify Schedule 10, 40 or 80)

PREFIXES

_____ Z Type 304 (CF8) Stainless Steel Body*
_____ ZC Type A-27 Carbon Steel Body (P.O.A.)
_____ ZM Type 316 (CF8M) Stainless Steel Body

SUFFIXES

_____ -K Seepage Holes Only	_____ -Y Stainless Steel Sediment Bucket
_____ -KC Clamp Collar with Seepage Holes	_____ -90 90 Threaded Side Outlet Body
_____ -SG Solid Gasketed Cover	(1-1/2 [38] thru 3 [76])
_____ -V Bronze Backwater Valve	
_____ -VP Vandal Proof Secured Top	

*REGULARLY FURNISHED UNLESS OTHERWISE SPECIFIED

REV.	DATE: 1/27/03	C.N. NO. 90202
DWG. NO. P-14959		PRODUCT NO. Z1726-80