

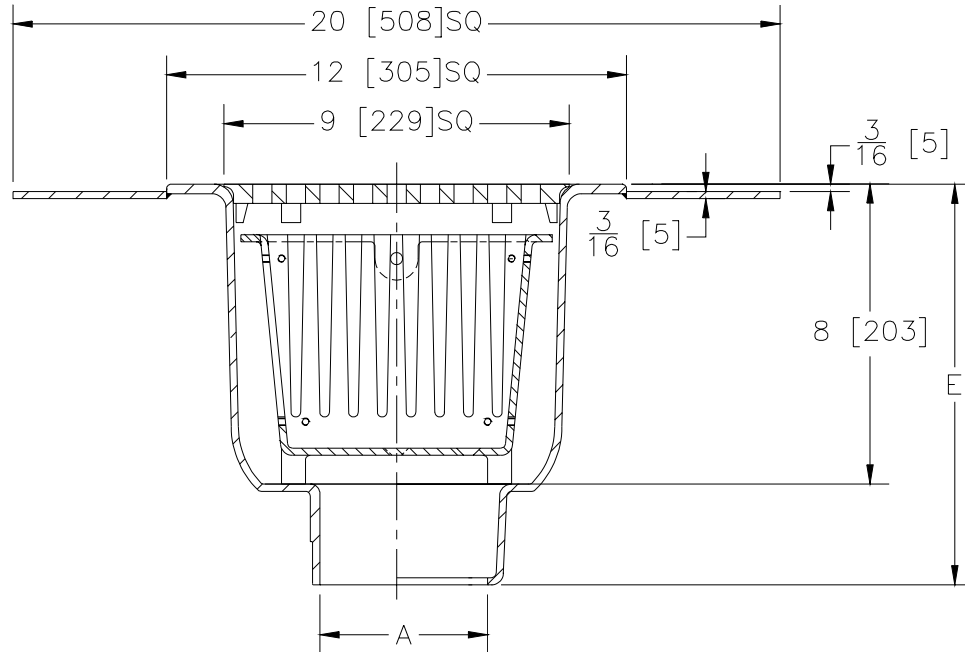


**Z-1901-80**  
**12" X 12" A.R.E. SANI-FLOR**  
**RECEPTOR 8" SUMP DEPTH**

SPECIFICATION SHEET

**TAG** \_\_\_\_\_

Dimensional Data (inches and [ mm ]) are Subject to Manufacturing Tolerances and Change Without Notice



A- Pipe Size In.[mm]	Approx. Wt. Lbs. [kg]	Grate Open Area Sq. In. [cm <sup>2</sup> ]
2-3-4[51-76-102]	34[15]	31[5]

**ENGINEERING SPECIFICATION:** ZURN Z-1901-80 Sani-Flor Receptor 12" x 12" x 8"[305x305x203] Deep cast iron body with dex-o-tex flange and square slotted medium duty grate, with white acid resisting porcelain enamel interior and top, complete with aluminum bucket.

**OPTIONS** (Check/specify appropriate options)

**OUTLET** (Specify type)

- \_\_\_ **IC** Inside Caulk
- \_\_\_ **NH** No-Hub

**PIPE SIZE** (Specify size)

- \_\_\_ 2",3",4"[52,76,102]
- \_\_\_ 2",3",4"[52,76,102]

**'E' BODY HT. Z**

- \_\_\_ 10-5/8"[270]
- \_\_\_ 10-5/8"[270]

**DIMENSION ZN**

- \_\_\_ 11-1/8"[283]
- \_\_\_ 11-1/8"[283]

**PREFIXES**

- \_\_\_ **Z-** Cast Iron Body with White A.R.E. Interior\*
- \_\_\_ **ZN-** Cast Iron Body with White A.R.E. Interior, 12-1/2"[318] Square N.B. Frame and Full Grate with 1/4"[6] Square Openings

**SUFFIXES**

- |  |  |
|--|--|
| ___ <b>-HD</b> Stl. Steel Frame w/X-Heavy Stl. Steel Grate                   | ___ <b>-9</b> Angle Frame and Grate                              |
| ___ <b>-HS</b> N.B. Frame w/X-Heavy Stl. St. Grate                           | ___ <b>-11</b> Vandal Proof Secured Grate                        |
| ___ <b>-K</b> Seepage Flange w/Seepage Holes                                 | ___ <b>-12</b> Depressed Aluminum Grate                          |
| ___ <b>-KC</b> Seepage Flange w/Seepage Holes W/Clamp Collar                 | ___ <b>-15</b> Solid Loose Set Cover                             |
| ___ <b>-LD</b> (Less) Bottom Dome Strainer                                   | ___ <b>-16</b> 1/2 Solid Loose Set Cover                         |
| ___ <b>-P</b> 1/2"[13] Trap Primer Connection (See Z-1023)                   | ___ <b>-17</b> 3/4 Solid Loose Set Cover                         |
| ___ <b>-1</b> (Less) Grate   | ___ <b>-18</b> Solid Loose Set Cover w/2"[52] Sq. Center Opening |
| ___ <b>-2</b> 1/2 Grate  | ___ <b>-19</b> Full Hinged Grate                                 |
| ___ <b>-3</b> 3/4 Grate  | ___ <b>-25</b> White A.R.E. Bucket                               |
| ___ <b>-4</b> Full Grate w/2"[52] Sq. Center Opening                         | ___ <b>-31</b> Stl. Steel Mesh Liner for Bucket                  |
| ___ <b>-5</b> Grate w/4"[102] Dia. x 3-3/4"[95] High Funnel                  | ___ <b>-33</b> White A.R.E. Anti-Splash Bottom Dome Strainer     |
| ___ <b>-6</b> Grate w/6"[152] Dia. x 6"[152] High Funnel                     | ___ <b>-34</b> N.B. Anti-Splash Bottom Dome Strainer             |
| ___ <b>-7</b> Grate w/6-3/4"[171] x 3"[76] x 1"[25] High Oval Funnel         |  |
| ___ <b>-8</b> Grate w/8-7/8"[225] x 3-5/8"[92] x 3-3/4"[95] High Oval Funnel |  |

\*REGULARLY FURNISHED UNLESS OTHERWISE SPECIFIED

<b>REV. A</b>	<b>DATE: 9/6/00</b>	<b>C.N. NO. 85847</b>
<b>DWG. NO. P-13987</b>	<b>PRODUCT NO. Z-1901-80</b>	

ZURN INDUSTRIES, INC. ♦ SPECIFICATION DRAINAGE OPERATION ♦ 1801 Pittsburgh Ave. ♦ Erie, PA 16514

Phone: 814/455-0921 ♦ Fax: 814/454-7929 ♦ World Wide Web: www.zurn.com

In Canada: ZURN INDUSTRIES LIMITED ♦ 3544 Nashua Drive ♦ Mississauga, Ontario L4V1L2 ♦ Phone: 905/405-8272 Fax: 905/405-1292