



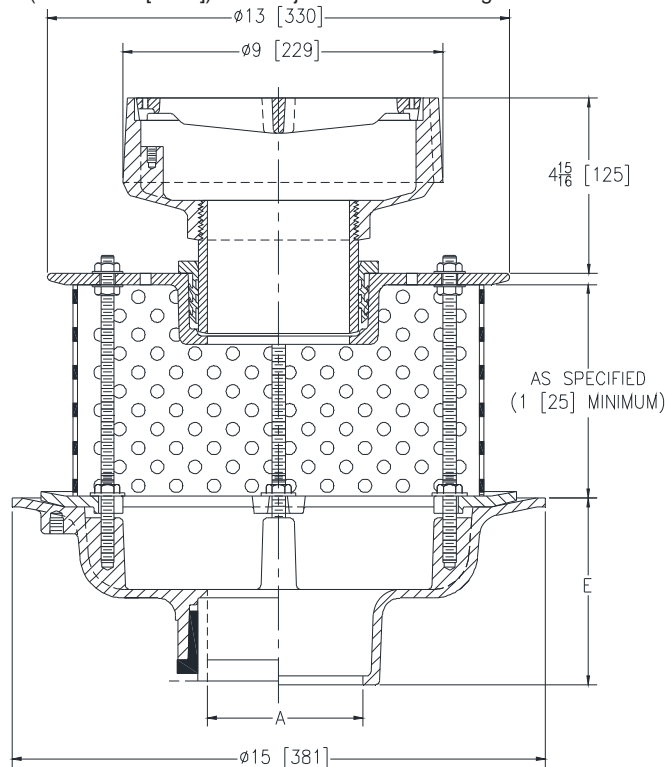
Z624-133

ISOLATION DECK DRAIN WITH PERFORATED EXTENSION

SPECIFICATION SHEET

TAG _____

Dimensional Data (inches and [mm]) are Subject to Manufacturing Tolerances and Change Without Notice



| A Pipe Size In.[mm] | Approx. Wt. Lbs. [kg] | Grate Open Area Sq. In. [cm ²] |
|------------------------|-----------------------------|--|
| 2, 3, 4 [51, 76, 102] | 42 [19] | 18 [116] |
| 6 [152] | | |

ENGINEERING SPECIFICATION: ZURN Z624-133

Floating slab drain, Dura-Coated cast iron upper and lower bodies, perforated extension, clamp collar with weep holes, neoprene flex gasket, isolation nipple and slotted grate.

OPTIONS (Check/specify appropriate options)

PIPE SIZE

2, 3, 4, 6 [51, 76, 102, 152]
2, 3, 4 [51, 76, 102]

(Specify size/type) OUTLET

___ NH No-Hub
___ NL Neo-Loc

'E' BODY HT. DIM.

5-1/4 [133]
4-5/8 [117]

PREFIXES

___ Z D.C.C.I. Body and Top*
___ ZN D.C.C.I Body w/ Polished Nickel Bronze Top (Add 3/16 [5] to 4-15/16 [125] Dim)

SUFFIXES

___ -C Underdeck Clamp (Lower Body)
___ -G Galvanized Cast Iron
___ -R Sump Receiver (Lower Body)
___ -TS Top Secured with Slotted Screws
___ -VP Vandal-Proof Secured Top
___ -Y Sediment Bucket (Upper Body)

* Regularly furnished unless otherwise specified.