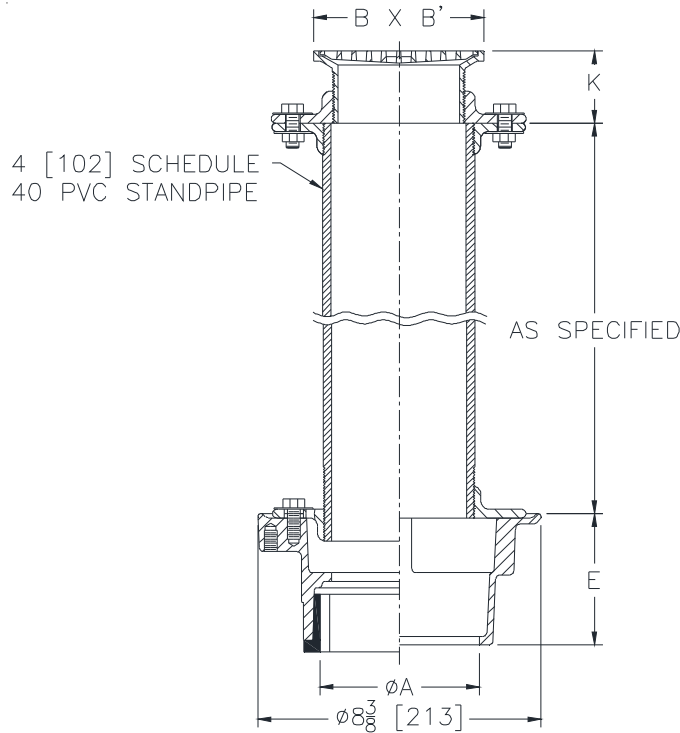




# Z415S-103

## AREA DRAIN W/ "TYPE S" STRAINER & STANDPIPE

Dimensional Data (inches and [ mm ]) are Subject to Manufacturing Tolerances and Change Without Notice



Dimensions in Inches			Approx. Wt. Lbs. [Kg.]	Stainer Open Area Sq. In [cm <sup>2</sup> ]	
'A' Pipe Size	'B' x 'B' Strainer Top Size	'K'			
		Min.	Max.		
3 [76]	8 x 8 [203 x 203]	2 [51]	3-1/2 [89]	25 [12]	28 [181]
4 [102]					

### ENGINEERING SPECIFICATION: ZURN Z415S-103

Area drain, Dura-Coated cast iron body with bottom outlet, combination invertible membrane clamp, 4 [102] schedule 40 PVC standpipe and secondary collars with "TYPE S" polished nickel bronze square strainer.

### OPTIONS (Check/specify appropriate options)

#### PIPE SIZE

- 3, 4 [76, 102]
- 3 [76]
- 4 [102]
- 3, 4 [76, 102]
- 3, 4 [76, 102]

#### OUTLET (Specify size/type)

- \_\_\_ IC Inside Caulk
- \_\_\_ IP Threaded
- \_\_\_ IP Threaded
- \_\_\_ NH No-Hub
- \_\_\_ NL Neo-Loc

#### 'E' BODY HT. DIM.

- 3-7/8 [98]
- 2-5/8 [67]
- 2-7/8 [73]
- 3-7/8 [98]
- 4-5/8 [117]

#### PREFIXES

- \_\_\_ ZB D.C.C.I. Body Assembly w/ Polished Bronze Top
- \_\_\_ ZN D.C.C.I. Body Assembly w/ Polished Nickel Bronze Top\*

#### SUFFIXES

- \_\_\_ -AR Acid Resisting Epoxy Coated Cast Iron
- \_\_\_ -CP Chrome-Plated Bronze Top
- \_\_\_ -G Galvanized Cast Iron
- \_\_\_ -OF Oval Funnel (See Z329-7)
- \_\_\_ -P Primer Connection (Specify 1/2 [13] or 3/4 [19])
- \_\_\_ -PC Protective Cover
- \_\_\_ -U 1 - 3 [25 - 76] High Extension Adapter
- \_\_\_ -V Backwater Valve
- \_\_\_ -VP Vandal-Proof Secured Top
- \_\_\_ -Y Sediment Bucket
- \_\_\_ -4 4 [102] Diameter Funnel (Z328)

\* Regularly furnished unless otherwise specified.