

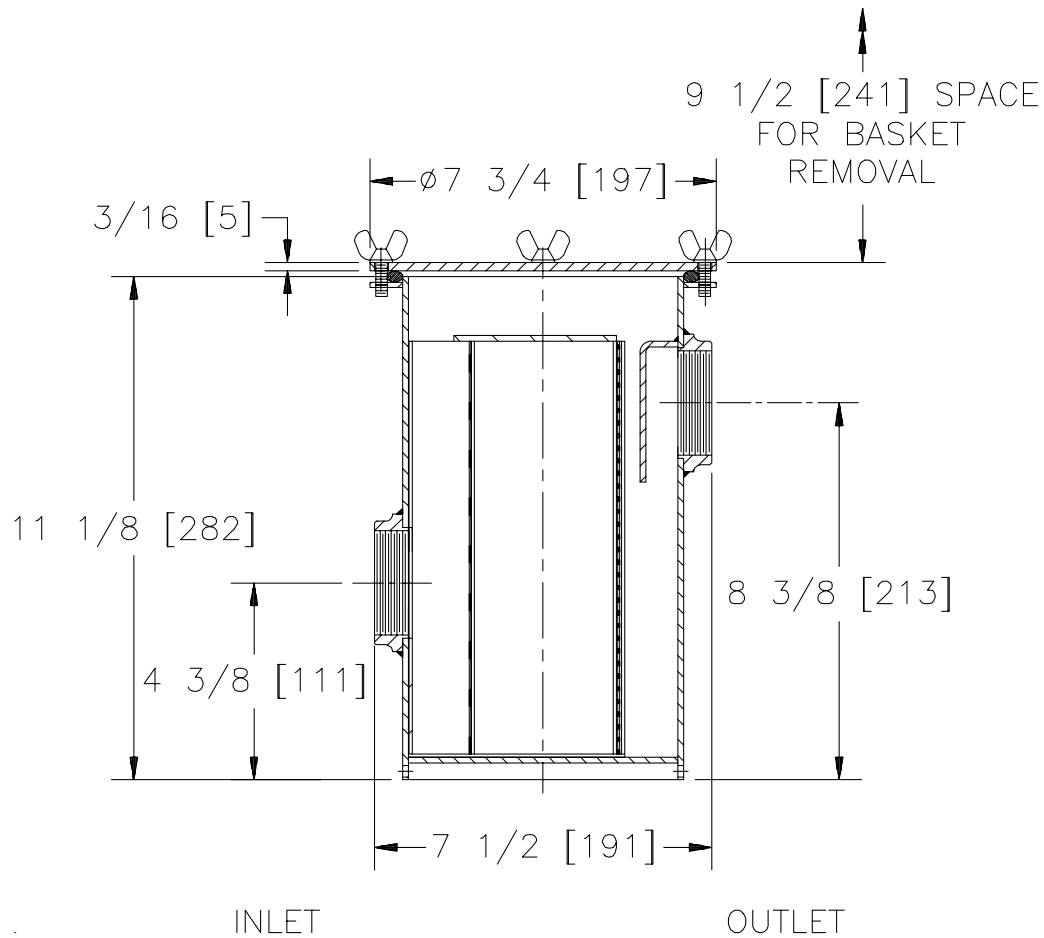


# ZA1180-80 SOLIDS INTERCEPTOR

SPECIFICATION SHEET

TAG \_\_\_\_\_

Dimensional Data (inches and [ mm ]) are Subject to Manufacturing Tolerances and Change Without Notice



Inlet/Outlet Inches	Flow Rate GPM [L]	Approx. Wt. Lbs. [kg]
1-1/2, 2** [38, 50]	15 [57]	10 [4]

**ENGINEERING SPECIFICATION:** ZURN ZA1180-80 Acid Resistant Coated interior and exterior steel interceptor, in lieu of fixture 'P' trap, for on-floor installation with removable primary and secondary flow diffusing/intercepting screens, and all stainless steel sediment bucket, with top access gasketed cover. Regularly furnished with 2 [50] low inlet and high outlet.\*\* Mesh size is 1/8 [3].

**OPTIONS** (Check/specify appropriate options)

**PREFIXES**

\_\_\_ ZA- Acid Resistant Coated Fabricated Steel\*

**SUFFIXES**

\_\_\_ -SS Stainless Mesh Screen for Basket  
 \_\_\_ -YR Replacement Basket Assembly

REV.	DATE: 6/11/03	C.N. NO. 91050
DWG. NO. P-14987 PRODUCT NO. ZA1180-80		

\*REGULARLY FURNISHED UNLESS OTHERWISE SPECIFIED