

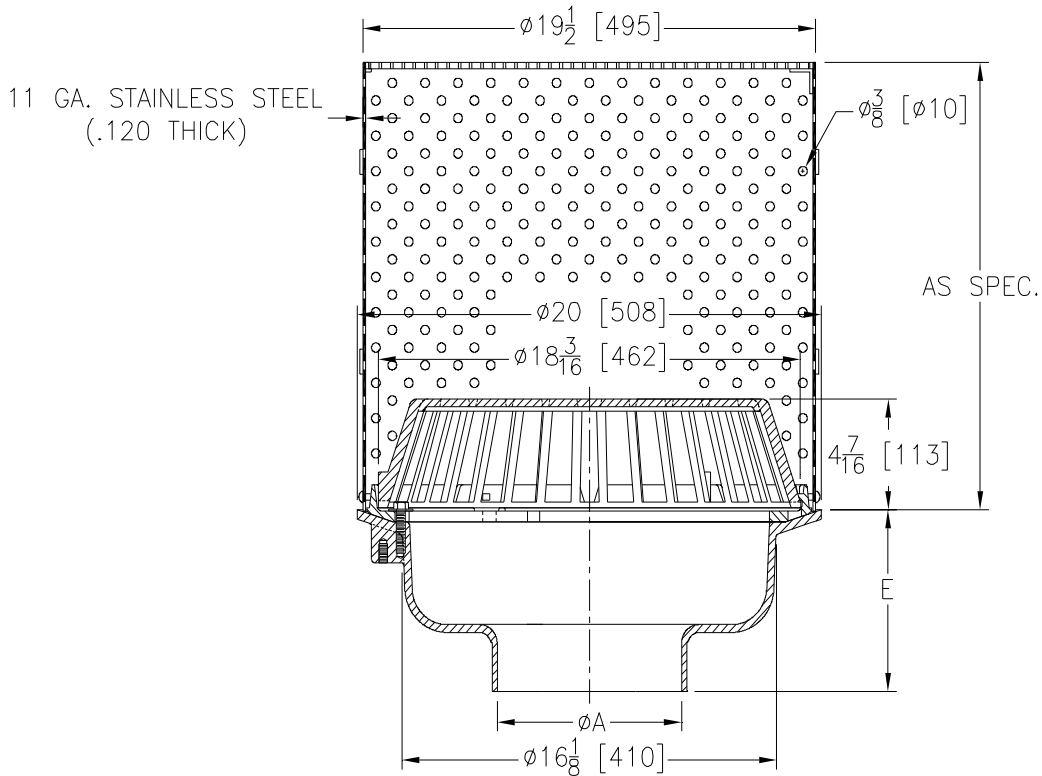


Z101-82
20 [508] DIAMETER MAIN ROOF DRAIN LOW SILHOUETTE
DOMEW/HEEL-PROOF GRATE AND PERFORATED EXTENSION

SPECIFICATION SHEET

TAG _____

Dimensional Data (inches and [mm]) are Subject to Manufacturing Tolerances and Change Without Notice



A- Pipe Size In.	Approx. Wt. Lbs. [kg]	Dome Open Area Sq. In. [cm ²]
8 [203]	77 [35]	216 [1394]
10 [245]	78 [35]	
12 [305]	79 [36]	

ENGINEERING SPECIFICATION: ZURN Z101-82
 20 [508] Diameter roof drain. Dura-Coated cast iron body with combination membrane flashing clamp/gravel guard, heel-proof slotted grate and perforated extension and low silhouette dome. For light duty foot traffic use.

PIPE SIZE
 8, 10, 12 [203, 254, 305]

(Specify size) **OUTLET**
 _____ NH No-Hub

'E' BODY HT. DIM.
 7 5/16 [185]

PREFIXES
 _____ Z D.C.C.I. Body with Cast Iron Dome*

SUFFIXES
 _____ -AR Acid Resistant Epoxy Coated
 _____ -DP Top-Set® Roof Deck Plate (Replaces both the -C and -R)
 _____ -G Galvanized Cast Iron
 _____ -W2 2 [51] Internal Water Dam
 _____ -W3 3 [76] Internal Water Dam
 _____ -W4 4 [102] Internal Water Dam

REV.	DATE: 11/25/08	C.N. NO. 99421
DWG. NO. P-15627 PRODUCT NO. Z101-82		