



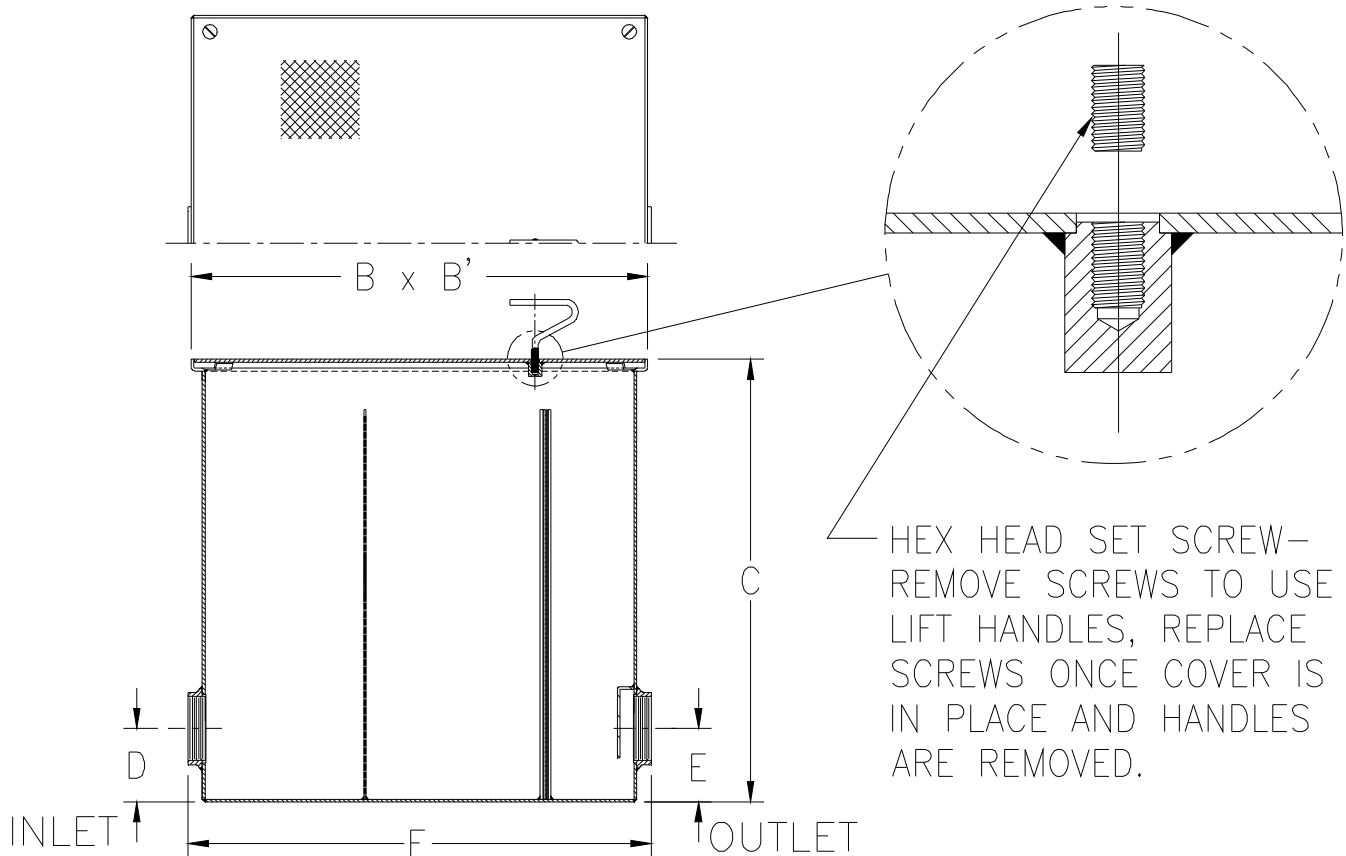
# Z1185-145

## LINT INTERCEPTOR WITH 4" THREADED INLET & OUTLET FURNISHED IN LOW POSITION

SPECIFICATION SHEET

TAG \_\_\_\_\_

Dimensional Data (inches and [ mm ]) are Subject to Manufacturing Tolerances and Change Without Notice



| Size No. of Machines | Inlet/Outlet Size | Flow Rate G.P.M. [L.P.M.] | Approx. Wt. Lbs. [kg] | Dimensions In Inches [mm] |           |           |         |         |           |
|----------------------|-------------------|---------------------------|-----------------------|---------------------------|-----------|-----------|---------|---------|-----------|
|                      |                   |                           |                       | B                         | B'        | C         | D       | E       | F         |
| 30                   | 4 [102]           | 300 [1134]                | 654 [297]             | 45 [1143]                 | 45 [1143] | 40 [1016] | 6 [152] | 6 [152] | 46 [1168] |

### ENGINEERING SPECIFICATION: ZURNZ1185-145

Acid Resistant Coated interior and exterior fabricated steel lint interceptor, non-skid secured cover with removable lift handle, aluminum lint intercepting secondary screen assembly, and permanent primary straining baffle with 3/8" [10mm] diameter perforated holes. Furnished with low inlet and outlet.

### OPTIONS (Check/specify appropriate options)

#### PREFIXES

- \_\_\_\_ Z Acid Resistant Coated Fabricated Steel\*
- \_\_\_\_ ZS All Type 304 Fabricated Stainless Steel

#### SUFFIXES

- \_\_\_\_ -E Acid Resistant Coated interior and exterior fabricated steel extension section (Specify 'C' dimension required for recessed installation).
- \_\_\_\_ -RS Aluminum Screen Replacement Assembly

\* Regularly furnished unless otherwise specified.