



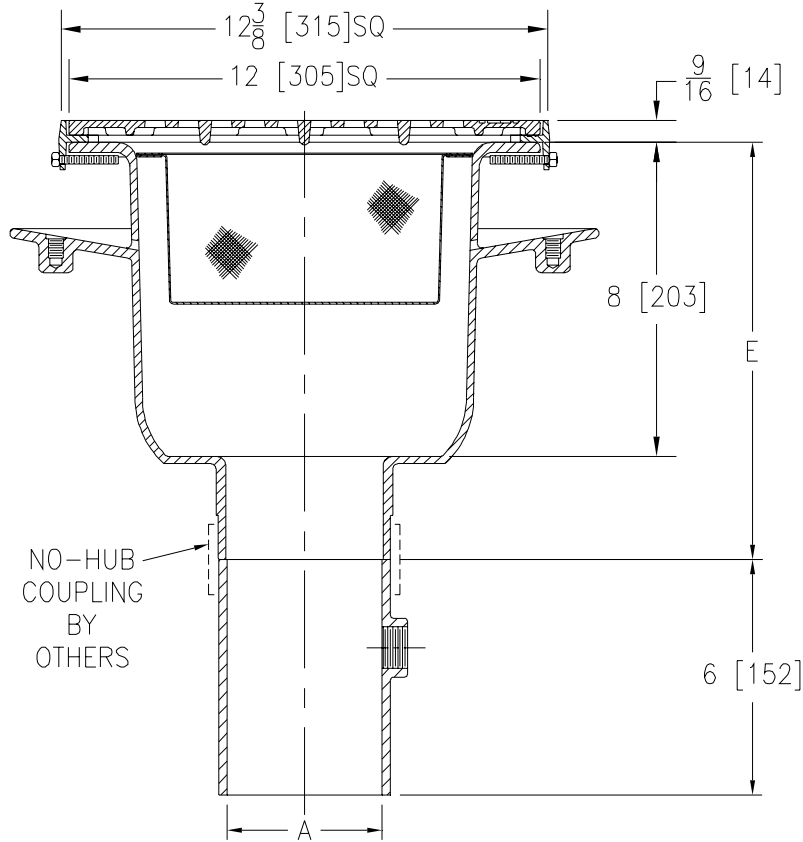
ZN1901-87

**12 X 12 [305 X 305] A.R.E. SANI-FLOR RECEPTOR
8 [203] SUMP DEPTH W/ ANCHOR FLANGE, TRAP PRIMER
CONNECTION, VANDAL-PROOF GRATE & S.S. BUCKET**

SPECIFICATION SHEET

TAG _____

Dimensional Data (inches and [mm]) are Subject to Manufacturing Tolerances and Change Without Notice



A- Pipe Size In.	Approx Wt. Lbs. [kg]	Grate Open Area Sq. In. [cm ²]
2-3-4 [51-76-102]	34 [15]	31 [200]

ENGINEERING SPECIFICATION: ZURNZN1901-87
Sani-Flor Receptor 12 x 12 x 8 [305 x 305 x 203] deep cast iron body with seepage flange and seepage holes and nickel bronze frame and vandal proof secured grate with white acid resisting porcelain enamel interior and top, complete with stainless steel bucket, 1/2 [13] trap primer connection.

OPTIONS (Check/specify appropriate options)

PIPE SIZE

2-3-4 [51-76-102]

(Specify size/type) **OUTLET**

_____ NH No-Hub

'E' BODY HT. DIM.

11 1/8 [283]

PREFIXES

_____ ZN Cast Iron Body with White A.R.E. Interior, 12 1/2 [318] Square N.B. Frame and Full Grate with 1/2 [13] Square Openings (Add 1/2 [13] to 12 [305] and 'E' Dim.)

SUFFIXES

- | | |
|--|--|
| _____ -DX Dex-o-Tex Flange | _____ -5 Grate w/ 4 [102] Dia. x 3 3/4 [95] High Funnel |
| _____ -HD Nickel Bronze Frame w/ X-Heavy Duty Stainless Steel Grate | _____ -6 Grate w/ 6 [152] Dia. x 6 [152] High Funnel |
| _____ -HP Heel-Proof Grate | _____ -7 Grate w/ 6 3/4 x 3 x 1 [171 x 76 x 25] High Oval Funnel |
| _____ -KC Anchor Flange with Seepage Holes and Clamp Collar | _____ -8 Grate w/ 8 7/8 x 3 5/8 x 3 3/4 [225 x 92 x 95] High Oval Funnel |
| _____ -LD (Less) Bottom Dome Strainer | _____ -9 Angle Frame and Grate |
| _____ -TC Neo-Loc Test Cap Gasket (2 - 4 [51 - 102] NL Bottom Outlet Only) | _____ -12 Depressed Aluminum Grate |
| _____ -1 (Less) Grate | _____ -15 Solid Loose Set Cover |
| _____ -2 1/2 Grate | _____ -31 Stainless Steel Mesh Liner for Bucket |
| _____ -3 3/4 Grate | |
| _____ -4 Full Grate with Square Center Opening | |

*REGULARLY FURNISHED UNLESS OTHERWISE SPECIFIED

REV. DATE: 11/10/08 C.N. NO. 99371

DWG. NO. P-15623 PRODUCT NO. Z1901-87

ZURN INDUSTRIES, LLC. ♦ SPECIFICATION DRAINAGE OPERATION ♦ 1801 Pittsburgh Ave. ♦ Erie, PA 16514

Phone: 814/455-0921 ♦ Fax: 814/454-7929 ♦ World Wide Web: www.zurn.com

In Canada: ZURN INDUSTRIES LIMITED ♦ 3544 Nashua Drive ♦ Mississauga, Ontario L4V1L2 ♦ Phone: 905/405-8272 Fax: 905/405-1292