



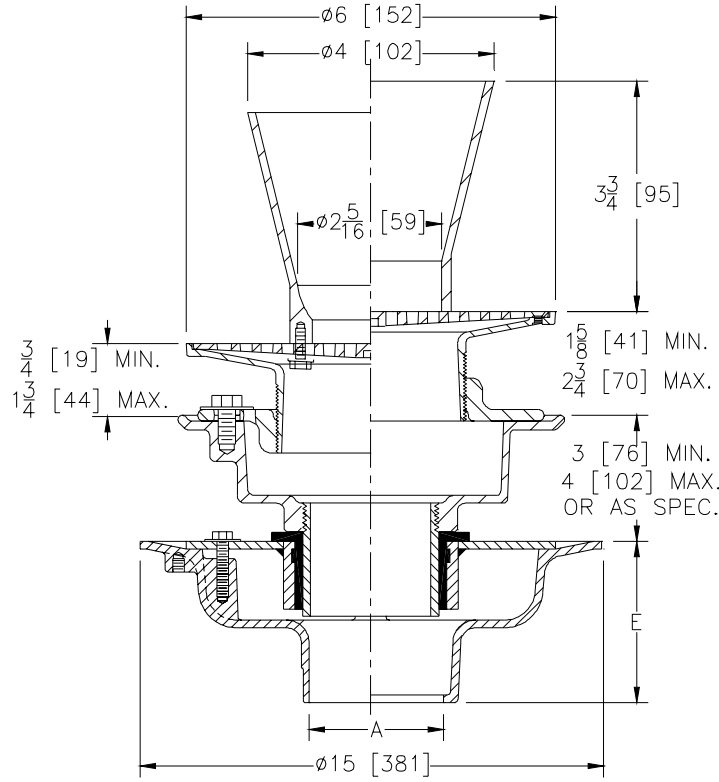
Z625-84

ISOLATION DECK ADJUSTABLE DRAIN W/ 4 [102] DIAMETER FUNNEL

SPECIFICATION SHEET

TAG _____

Dimensional Data (inches and [mm]) are Subject to Manufacturing Tolerances and Change Without Notice



A Pipe Size	Approx. Wt. Lbs. [kg]	Grate Open Area Sq. In. [cm ²]
2, 3, 4 [51, 76, 102]	42 [19]	9 [58]
5, 6 [127, 152]		

ENGINEERING SPECIFICATION: ZURNZN625-84 Adjustable isolation deck drain, Dura-Coated cast iron upper and lower bodies, upper and lower clamp collars, neoprene flex gasket, isolation nipple and adjustable 6 [152] diameter nickel bronze strainer with 4 [102] diameter funnel.

OPTIONS (Check/specify appropriate options)

PIPE SIZE

- 2 thru 6 [51 thru 152]
- 2 thru 4, 6 [51 thru 102, 152]
- 2 thru 6 [51 thru 152]
- 2 thru 6 [51 thru 152]
- 2 thru 4 [51 thru 102]

(Specify size/type) **OUTLET**

- _____ IC Inside Caulk
- _____ IG Inside Caulk w/Sealtrol Gskt.
- _____ IP Threaded
- _____ NH No-Hub
- _____ NL Neo-Loc

'E' BODY HT. DIM.

- 5 1/4 [133]
- 5 1/4 [133]
- 3 3/4 [95]
- 5 1/4 [133]
- 4 5/8 [117]

PREFIXES

- _____ ZB D.C.C.I Body w/Polished Bronze Top
- _____ ZN D.C.C.I Body w/Polished Nickel Bronze Top*

SUFFIXES

- _____ -C Underdeck Clamp (Lower Body)
- _____ -G Galvanized Cast Iron
- _____ -R Sump Receiver (Lower Body)
- _____ -U 3 [76] High Extension Adapter (Upper Body)
- _____ -VP Vandal-Proof Secured Top
- _____ -Y Sediment Bucket (Upper Body)

REV.	DATE: 09/26/05	C.N. NO. 93825
DWG. NO. P-15204		PRODUCT NO. Z625-84

*REGULARLY FURNISHED UNLESS OTHERWISE SPECIFIED