



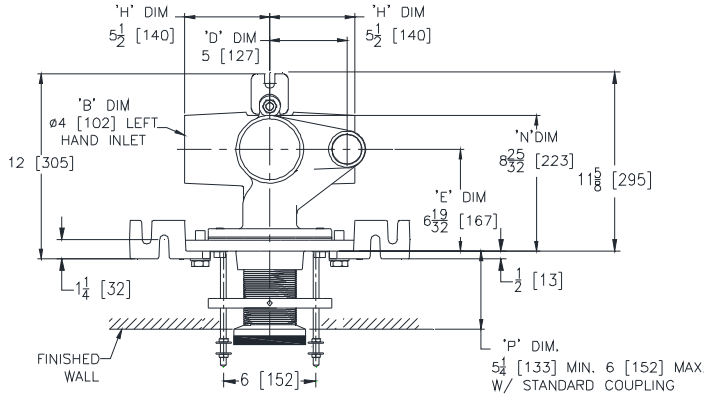
# Z1202-78

EZCARRY® ADJUSTABLE VERTICAL HIGH PERFORMANCE SIPHON JET NO-HUB WATER CLOSET CARRIER SYSTEM WITH TWO SIDE INLETS & LOW ROUGH-IN WITH 17 [432] ONE PIECE RYK FOOT SUPPORT, BACK OUTLET FIXTURE SUPPORT

SPECIFICATION SHEET

TAG \_\_\_\_\_

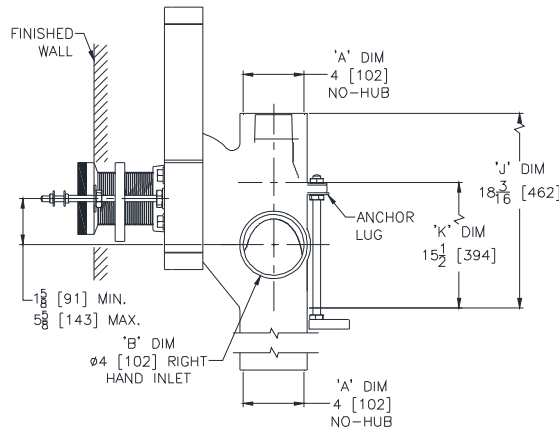
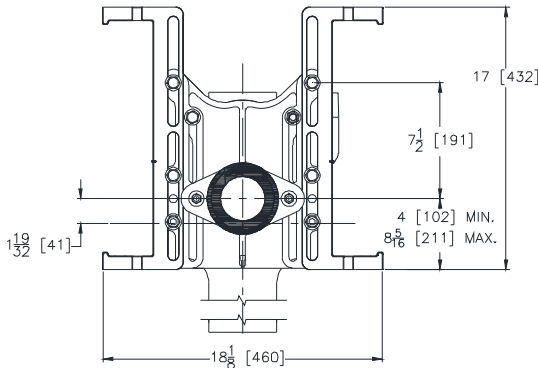
Dimensional Data (inches and [mm]) are Subject to Manufacturing Tolerances and Change Without Notice



Product Number	Approx. Wt. lbs [kg]
Z1202-78	81 [37]

**Note:**

- Z coupling, Min. 'P' Dim. Obtainable = 2 [51].  
ZQ coupling, Min. 'P' Dim Obtainable = 5 [127]  
EZ-Set™ Coupling, Min. 'P' Dim. Obtainable = 4-1/4 [108] or 2-1/16 [52] for 12 [305] NPT
- Feet bolted to floor using min. 1/2 [13] dia. anchors.
- 2 [51] No-Hub vent connection regularly furnished on right hand side. Left hand available when specified (Suffix -VL)



**ENGINEERING SPECIFICATION: ZURN Z1202-78**

EZCarry® vertical siphon jet water closet carrier system with high performance waterway and 4" [102mm] no-hub connections. System includes Dura-Coated cast iron main fitting with hydro-mechanically optimized sweep and extended 2" [51mm] vent, two 4" [102mm] side inlets, adjustable gasketed modified faceplate, one piece unistrut prefab foot, heavy-duty 1/2" [13mm] rear anchor tie down, fixture bolts, trim, stud protectors, bonded "Neo-Seal" gasket, and corrosion resistant, adjustable 3" [76mm] dia. X 6" [152mm] coupling with integral test cap designed to increase flow velocity and line carry. EZCarry® system complies with the requirements of ASME A112.6.1M up to a 500 lbs [227 kg] static load rating.

**OPTIONS** (Check/specify appropriate options)

Z1202-78 4 [102] No-Hub Stack, Single Inlet, Two 4 [102] Side Inlets, 2 [51] Right Hand Vent.

**PREFIXES**

- \_\_\_ Z D.C.C.I. System with Zurn ZZ Adjustable Coupling\*
- \_\_\_ ZQ D.C.C.I. System with NPT Faceplate, Non-Adjustable Coupling

**SUFFIXES**

- \_\_\_ -A Auxiliary Support Assembly (For 'P' Dim. Greater than 18 [457])
- \_\_\_ -CC Corrosion Resistant Cast Iron Coupling (2-1/4 [57] to 12 [305])
- \_\_\_ -CE EZ-Set™ Coupling (NPSM 6 [152] , 12 [305] or custom) ( NPT 12 [305] or custom)
- \_\_\_ -CL Custom Length Standard Coupling with Integral Test Cap (Specify Length 4, 8, 10, 12 [102, 203, 254, 305])
- \_\_\_ -CS 2-1/4 [57] Polymer Coupling with Integral Test Cap
- \_\_\_ -F Floor Mounted, Back Outlet Fixture Support
- \_\_\_ -G Galvanized Cast Iron
- \_\_\_ -M Auxiliary Foot Support (for 'P' Dim. 7 thru 18 [178 thru 457])
- \_\_\_ -VL Left Hand Vent Connection
- \_\_\_ -VP Vandal-Proof Trim
- \_\_\_ -45 Finishing Frame for Siphon Jet System
- \_\_\_ -50 Flush Valve Supply Support for Water Closets

\* Regularly furnished unless otherwise specified.