

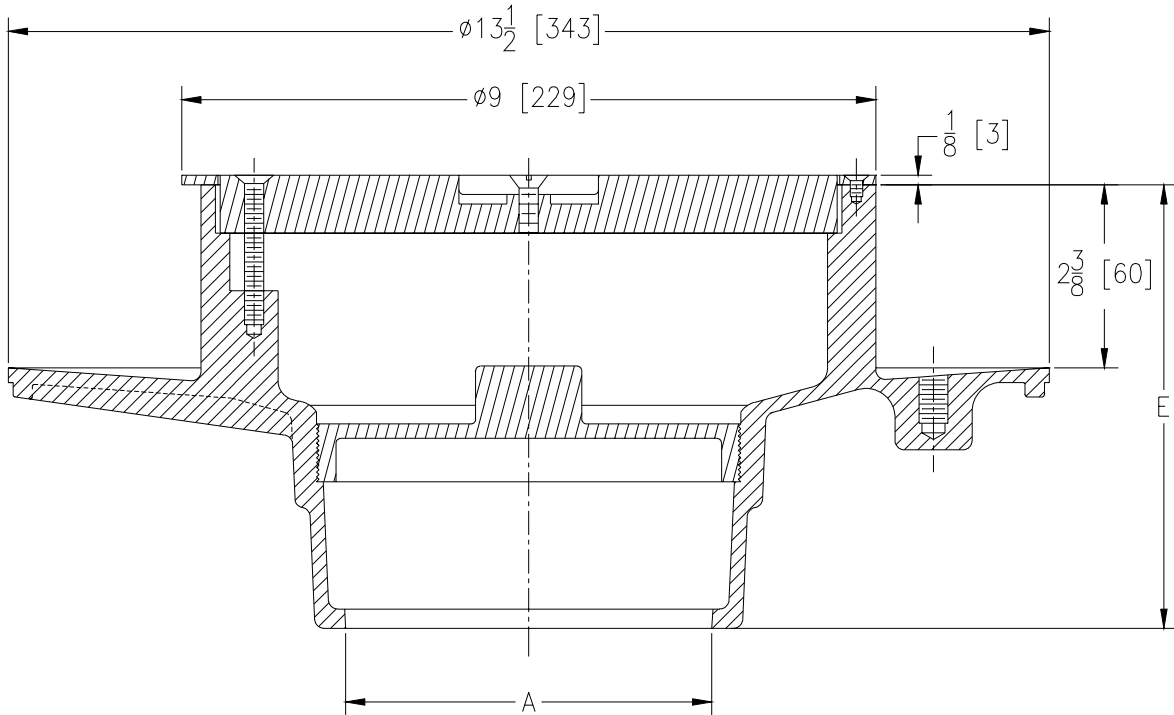


# Z-551-91

## 9" [229] DIAMETER HEAVY DUTY DRAIN

TAG \_\_\_\_\_

Dimensional Data (inches and [ mm ]) are Subject to Manufacturing Tolerances and Change Without Notice



A- Pipe Size In.	Approx. Wt. Lbs. [kg]
2-3-4 [50-75-100]	11 [5]

**ENGINEERING SPECIFICATION:** ZURN Z-551-91 9[229] Diameter top drain, Dura-Coated cast iron body with bottom outlet, anchor flange, solid stainless steel secured cover with lift handle, stainless steel frame, and brass winter closure plug.

**OPTIONS** (Check/specify appropriate options)

**PIPE SIZE**

2, 3, 4 [50, 75, 100]

(Specify size/type) **OUTLET**

\_\_\_ IC Inside Caulk

**'E' BODY HT. DIM.**

5 3/4 [146]

**PREFIXES**

\_\_\_ ZS- D.C.C.I. Body with Polished Stainless Steel Top.

**SUFFIXES**

\_\_\_ -AR Acid Resisting Epoxy Coated Cast Iron  
 \_\_\_ -DG Duresist Grate  
 \_\_\_ -G Galvanized Cast Iron  
 \_\_\_ -P Trap Primer Connection  
 \_\_\_ -S Secondary Strainer  
 \_\_\_ -SG Solid Gasketed Cover  
 \_\_\_ -SS Stainless Mesh Liner for Bucket  
 \_\_\_ -V Backwater Valve (See Z-1099)  
 \_\_\_ -VP Vandal Proof Secured Top  
 \_\_\_ -Y Sediment Bucket

REV. DATE: 10/12/01 C.N. NO. 88123

DWG. NO. P-14850 PRODUCT NO. Z-551-91

\*REGULARLY FURNISHED UNLESS OTHERWISE SPECIFIED

ZURN INDUSTRIES, INC. ♦ SPECIFICATION DRAINAGE OPERATION ♦ 1801 Pittsburgh Ave. ♦ Erie, PA 16514

Phone: 814/455-0921 ♦ Fax: 814/454-7929 ♦ World Wide Web: www.zurn.com

In Canada: ZURN INDUSTRIES LIMITED ♦ 3544 Nashua Drive ♦ Mississauga, Ontario L4V1L2 ♦ Phone: 905/405-8272 Fax: 905/405-1292