

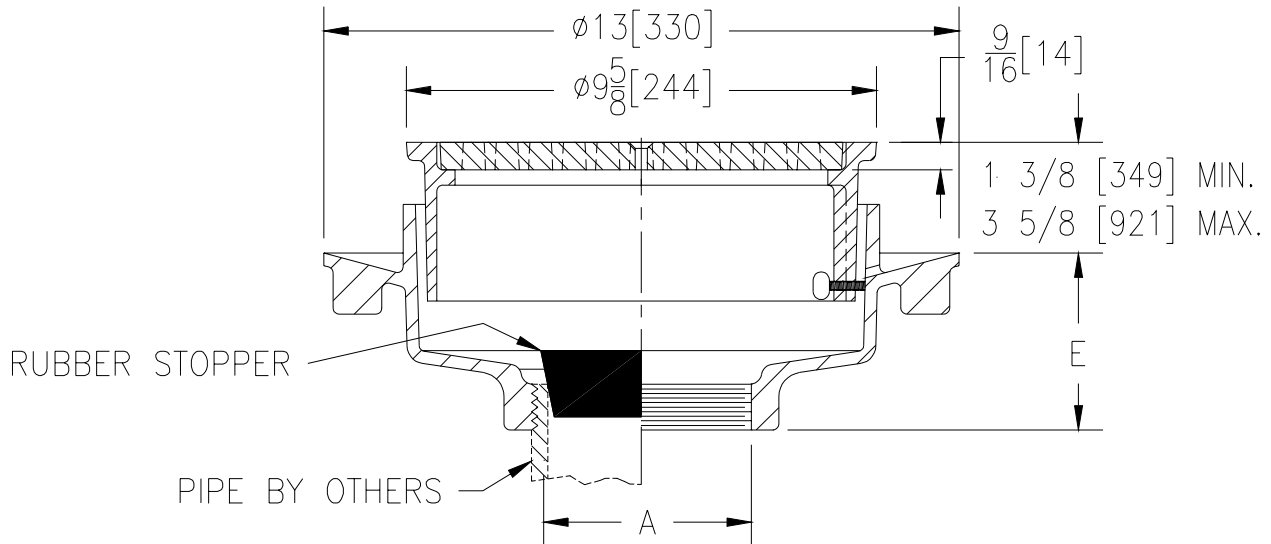


Z-1732-76

ADJUSTABLE FLOOR DRAIN WITH RUBBER STOPPER

TAG _____

Dimensional Data (inches and [mm]) are Subject to Manufacturing Tolerances and Change Without Notice



A- Pipe Size In.	Approx. Wt. Lbs. [kg]	Grate Open Area Sq. In. [cm ²]
2-3-4-6 [50-75-100-150]	40 [18]	14 [90]

ENGINEERING SPECIFICATION: ZURN Z-1732-76
 All Type 304 (CF8) stainless steel adjustable floor drain with integral anchor flange, rubber stopper, adjustable top frame and grate with plain finish.

OPTIONS (Check/specify appropriate options)

PIPE SIZE	(Specify size/type) OUTLET	'E' BODY HT. DIM.
2 thru 4, 6 [50 thru 100, 150]	_____ IP Threaded	3 5/8 [92]

PREFIXES

- _____ Z- Type 304 (CF8) Stainless Steel Body*
- _____ ZC- Type A-27 Carbon Steel Body (P.O.A.)
- _____ ZM- Type 316 (CF8M) Stainless Steel Body

SUFFIXES

- _____ -E Extension
- _____ -K Seepage Pan and/or Seepage Holes Only
- _____ -KC Clamp Collar With Seepage Holes
and/or Seepage Pan With Clamp Collar
- _____ -SC Solid Secured Cover
- _____ -SF Satin Finish Top
- _____ -VP Vandal Proof Secured Top
- _____ -Y Sediment Bucket

*REGULARLY FURNISHED UNLESS OTHERWISE SPECIFIED

REV.	DATE: 11/27/96	C.N. NO. 76587
DWG. NO. P-14422		PRODUCT NO. Z-1732-76