

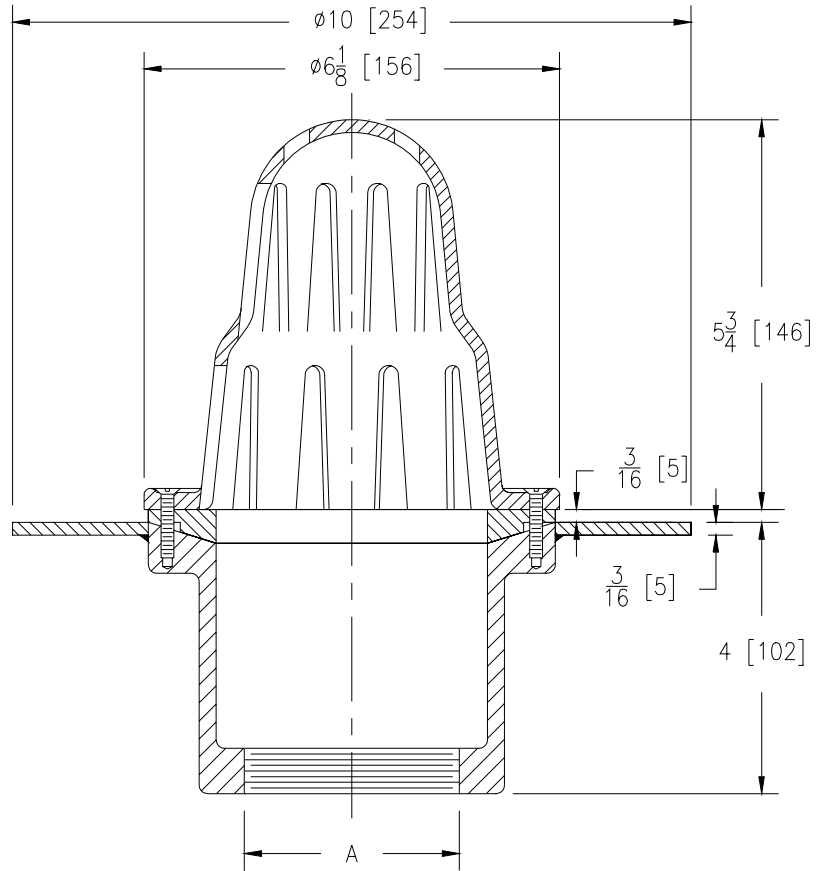


Z-181-85
6 [152] DIAMETER CORNICE DRAIN
BOTTOM OUTLET

SPECIFICATION SHEET

TAG _____

Dimensional Data (inches and [mm]) are Subject to Manufacturing Tolerances and Changes Without Notice



A- Pipe Size In.	Approx. Wt. Lbs. [kg]	Dome Open Area Sq. In. [cm ²]
3 [75]	7 [3]	20 [120]
4 [100]	8 [4]	

ENGINEERING SPECIFICATION: ZURN ZRB-181-85 6 [152] Diameter by 4 [102] High Cornice drain, galvanized cast iron body with 10 [254] wide Dex-O-Tex flange, plain bronze high dome, and membrane flashing clamp.

OPTIONS (Check/specify appropriate options)

PIPE SIZE

- 3, 4 [75, 100]
- 3, 4 [75, 100]

(Specify size/type) **OUTLET**

- ___ IP Threaded
- ___ NH No-Hub (IP w/Z-1040)

PREFIXES

- ___ ZRB- D.C.C.I. Body with Plain Bronze Dome*
- ___ ZB- D.C.C.I. Body with Polished Bronze Dome
- ___ ZN- D.C.C.I. Body with Polished Nickel Bronze Dome

SUFFIXES

- ___ -VP Vandal Proof Secured Top
- ___ -8 8 [203] High Body (See Z-180, Z-181)

*REGULARLY FURNISHED UNLESS OTHERWISE SPECIFIED

REV.	DATE: 3/6/02	C.N. NO. 88368
DWG. NO. P-14873 PRODUCT NO. Z-181-85		