



# Z726-DCC

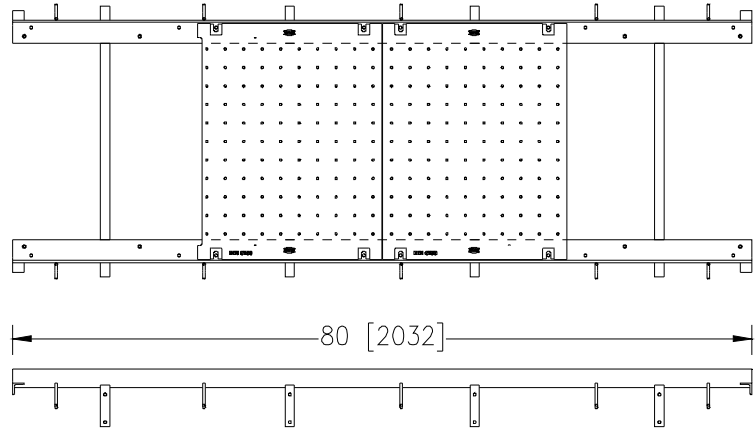
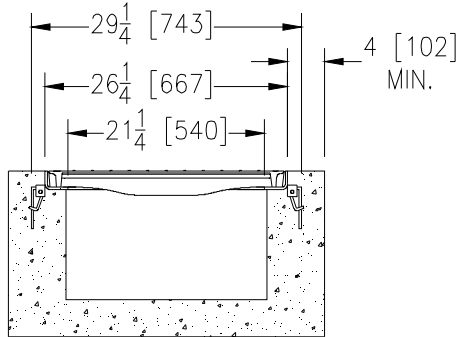
SPECIFICATION SHEET

## 26-1/4 [667] WIDE REVEAL FRAME WITH DUCTILE IRON SOLID COVER

TAG \_\_\_\_\_

Dimensional Data (inches and [ mm ]) are Subject to Manufacturing Tolerances and Change Without Notice

SPECIFYING ENGINEER IS RESPONSIBLE FOR CONCRETE ENCASEMENT AND REINFORCING BASED UPON APPLICATION AND LOCAL CODES



**ENGINEERING SPECIFICATION:** Zurn Z726-DCC Frame and Cover System shall be 80 [2032] long, 26-1/4 [667] wide reveal and have a 21 [533] clear opening. Shall mechanically lock into the concrete surround every 10 [254]. Shall be provided with the DCC cover, Zurn 25-1/2 [648] wide Ductile Iron Solid Cover, and lock down to the frame and locks down with 4 bolt anchors per grate. Ductile Iron conforms to ASTM specification A536-84, Grade 80-55-06. Ductile iron solid cover is rated class C per the DIN EN1433 top load classifications. Supplied in 20 [508] nominal lengths and 1-3/4 [44] bearing depth. The 1/4 [6] thick Carbon Steel Frame Assembly conforms to ASTM specification A36 with 10 - 4 [102] long concrete anchors per 80 [2032]. Frame supplied with an E-coated finish with 3000hr salt spray testing per ASTM B-117. All welds must be performed by a certified welder per ASTM standard AWS D1.1. Frames shall be produced in the USA.

**PREFIX OPTIONS (Check/specify appropriate options)**

Z Six-foot, Eight-inch Heavy Duty Carbon Steel Frame\*

**SUFFIX OPTIONS (Check/specify appropriate options)**

**Frame Options**

-CBF Black Acid Resistant Coated Top Frame

**Grate Options (Load Classifications are per DIN EN1433)**

-DCC Ductile Iron Solid Cover - Class C\*

**Miscellaneous Options**

- RC Rebar Clip (Set of 2)
- VP Vandal-Proof Lockdown

**MADE in the U.S.A.**

**Miscellaneous Options**

- CBF Black Acid Resistant Coated Frame
- GFA Galvanized Frame Assembly
- SF Type 304 Stainless Steel Top Frame

REV. -	DATE: 3/8/11	C.N. NO. 121003
DWG. NO. 304808	PRODUCT NO. Z726-DCC	

\*REGULARLY FURNISHED UNLESS OTHERWISE SPECIFIED

ZURN INDUSTRIES, LLC ♦ SPECIFICATION DRAINAGE OPERATION ♦ 1801 Pittsburgh Ave. ♦ Erie, PA 16514

Phone: 814/455-0921 ♦ Fax: 814/454-7929 ♦ World Wide Web: www.zurn.com

In Canada: ZURN INDUSTRIES LIMITED ♦ 3544 Nashua Drive ♦ Mississauga, Ontario L4V1L2 ♦ Phone: 905/405-8272 Fax: 905/405-1292