



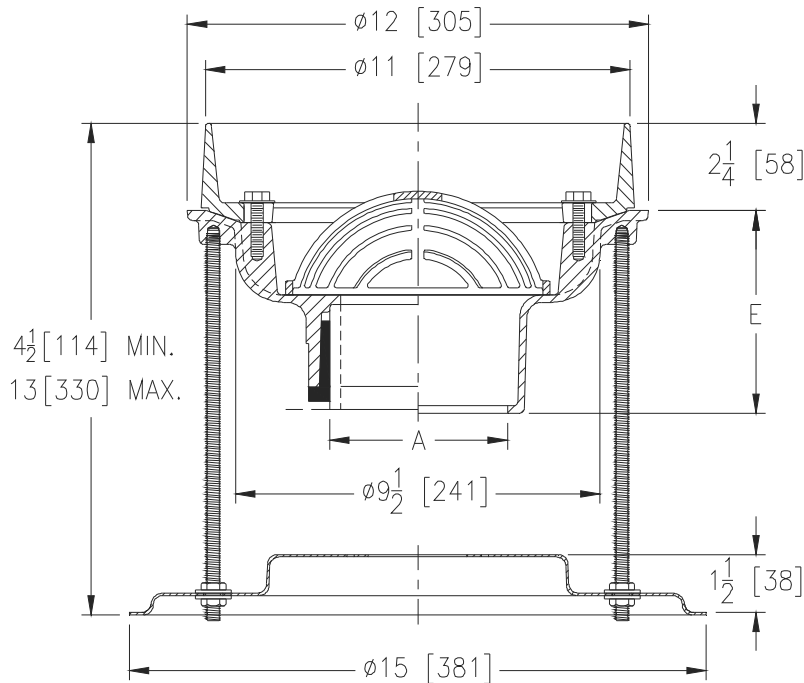
Z122-78

12 [305] DIAMETER DECK RECEPTOR DRAIN WITH STABILIZER ASSEMBLY

SPECIFICATION SHEET

TAG _____

Dimensional Data (inches and [mm]) are Subject to Manufacturing Tolerances and Change Without Notice



A Pipe Size In. [mm]	Approx. Wt. Lbs. [kg]
2,3,4,6 [51,76,102,152]	29 [13]

ENGINEERING SPECIFICATION: ZURN Z122-78

12" [305mm] Diameter deck receptor drain, Dura-Coated cast iron body with combination membrane flashing clamp/deck receptor frame and internal dome strainer with stabilizer assembly.

OPTIONS (Check/specify appropriate options)

PIPE SIZE

- 2, 3, 4, 6 [51, 76, 102, 152]
- 2, 3, 4, 6 [51, 76, 102, 152]
- 2, 3, 4, 6 [51, 76, 102, 152]
- 2, 3, 4 [51, 76, 102]

(Specify size/type) OUTLET

- _____ IC Inside Caulk
- _____ IP Threaded
- _____ NH No-Hub
- _____ NL Neo-Loc

E BODY HT. DIM.

- 5-1/4 [133]
- 3-3/4 [95]
- 5-1/4 [133]
- 4-5/8 [117]

PREFIXES

- ___ Z D.C.C.I. Body with Collar*

SUFFIXES

- ___ -AR Acid Resistant Epoxy Coated
- ___ -E 2 [51] High Static Extension (Specify Ht.)
- ___ -G Galvanized Cast Iron
- ___ -HD High Dome
- ___ -TC Neo-Loc Test Cap Gasket (2 [51] - 4 [102] NL Bottom Outlet Only)

* Regularly furnished unless otherwise specified.