



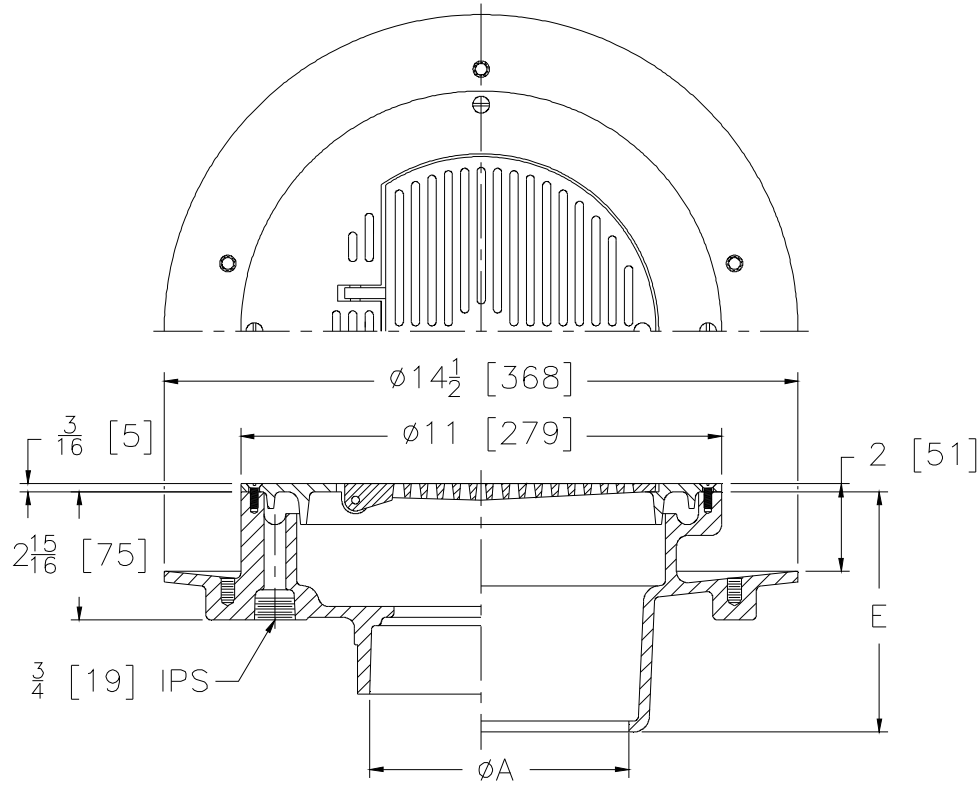
Z310-87

THOROFLUSH DRAIN WITHOUT SEEPAGE HOLES

SPECIFICATION SHEET

TAG _____

Dimensional Data (inches and [mm]) are Subject to Manufacturing Tolerances and Change Without Notice



A Pipe Size	Approx. Wt. Lbs. [kg]	Grate Open Area Sq. In. cm ²
2-3-4-6 [51-76-102-152]	20 [9]	18 [116]

ENGINEERING SPECIFICATION: ZURN ZN310-87
 11 [279] Top Thoroflush Drain, cast iron body with white acid resistant epoxy coated exterior and interior, bottom outlet with anchor flange, nickel bronze flushing rim top and slotted hinged grate.

OPTIONS (Check/specify appropriate options)

PIPE SIZE

- 2-3-4-6 [51-76-102-152]
- 2-3-4-6 [51-76-102-152]
- 2-3-4-6 [51-76-102-152]
- 2-3-4 [51-76-102]

(Specify size/type) **OUTLET**

- ___ IC Inside Caulk
- ___ IG Inside Gasket
- ___ IP Threaded
- ___ NL Neo-Loc

'E' BODY HT. DIM.

- 5-1/2 [140]
- 5-1/2 [140]
- 5-1/2 [140]
- 4-5/8 [117]

PREFIXES

- ___ ZB Cast Iron Body w/ A.R.C. Interior and Exterior w/ Polished Bronze Top
- ___ ZN Cast Iron Body w/ A.R.C. Interior and Exterior w/ Polished Nickel Bronze Top*

SUFFIXES

- ___ -C Clamping Collar
- ___ -DX Dex-o-tex Flange (Std. Top Only)
- ___ -FG Free Set Grate
- ___ -IG Integral Grate
- ___ -NE Spark Proof Non-Conductive Top
- ___ -ST Solid Hinged Top
- ___ -TC Neo-Loc Test Cap Gasket (2 [51]-4 [102] NL Bottom Outlet Only)
- ___ -VP Vandal-Proof Screws In Frame
- ___ -WB Water Supply Control Box (See Z1464)

REV.	DATE: 06/13/13	C.N. NO. 129505
PROD./DWG. NO. Z310-87		

*REGULARLY FURNISHED UNLESS OTHERWISE SPECIFIED