



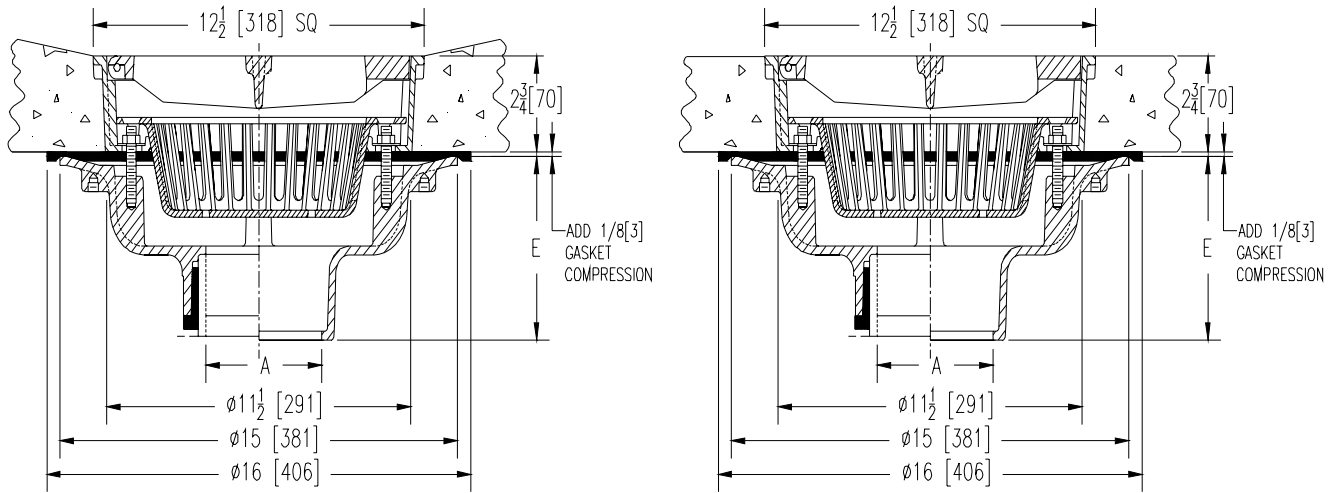
# Z610-118

SPECIFICATION SHEET

## 12 1/2 [318] SQ. HEAVY DUTY DRAIN WITH HINGED VANDAL PROOFED GRATE FOR PRECAST CONCRETE PARKING DECK SYSTEM

TAG \_\_\_\_\_

Dimensional Data (inches and [ mm ]) are Subject to Manufacturing Tolerances and Change Without Notice



A Pipe Size	Approx. Wt. Lbs. [kg]	Grate Open Area Sq. In. [cm <sup>2</sup> ]
2-3-4-5-6 [51-76-102-127-152]	54 [24]	42 [271]
8-10 [203-254]	56 [25]	

**ENGINEERING SPECIFICATION:** Z610-117 12 1/2 [318] Square Top drain, Dura-Coated cast iron body with bottom outlet, seepage pan and combination membrane flashing clamp and frame with gasket seal, for cast iron heavy duty slotted vandal proof secured Hinged grate with suspended polypropylene sediment bucket.

**OPTIONS** (Check/specify appropriate options)

**PIPE SIZE**

- 2 thru 6, 8, 10 [51 thru 152, 203, 254]
- 2 thru 4, 6 [51 thru 102, 152]
- 2 thru 6, 8, 10 [51 thru 152, 203, 254]
- 2 thru 6, 8, 10 [51 thru 152, 203, 254]
- 2 thru 4 [51 thru 102]

(Specify size/type) **OUTLET**

- \_\_\_ IC Inside Caulk
- \_\_\_ IG Inside Caulk w/Sealtrol Gskt.
- \_\_\_ IP Threaded
- \_\_\_ NH No-Hub
- \_\_\_ NL Neo-Loc

**'E' BODY HT. DIM.**

- 5 1/4 [133]
- 5 1/4 [133]
- 3 3/4 [95]
- 5 1/4 [133]
- 4 5/8 [117]

**PREFIXES**

- \_\_\_ Z D.C.C.I. Body and Top\*
- \_\_\_ ZB D.C.C.I Body w/Polished Bronze Top (Add 3/16 [5] to 2 1/2 [64] Dim. and 3/4 [19] to 12 1/2 [318] Dim.)
- \_\_\_ ZN D.C.C.I Body w/Polished Nickel Bronze Top (Add 3/16 [5] to 2 1/2 [64] Dim. and 3/4 [19] to 12 1/2 [318] Dim.)

**SUFFIXES**

- \_\_\_ -AR Acid Resistant Epoxy Coated Cast Iron
- \_\_\_ -DX Dex-o-tex Flange (ZB, ZN Only)
- \_\_\_ -F 2 [51] High Extension
- \_\_\_ -G Galvanized Cast Iron
- \_\_\_ -HC Hinged Solid Cover
- \_\_\_ -LY (Less) Sediment Bucket
- \_\_\_ -P Trap Primer Connection
- \_\_\_ -S Secondary Strainer
- \_\_\_ -SS Stainless Steel Mesh Liner for Bucket
- \_\_\_ -TC Neo-Loc Test Cap Gasket (2 [51] - 4 [102] NL Bottom Outlet Only)
- \_\_\_ -V Backwater Valve (See Z1099)
- \_\_\_ -YA Aluminum Sediment Bucket
- \_\_\_ -YC Cast Iron Sediment Bucket
- \_\_\_ -90 90° Threaded Side Outlet Body

\*REGULARLY FURNISHED UNLESS OTHERWISE SPECIFIED

REV.	DATE: 2/3/11	C.N. NO. 120830
DWG. NO. 304351	PRODUCT NO. Z610-118	

ZURN INDUSTRIES, LLC. ♦ SPECIFICATION DRAINAGE OPERATION ♦ 1801 Pittsburgh Ave. ♦ Erie, PA 16514

Phone: 814455-0921 ♦ Fax: 814454-7929 ♦ World Wide Web: www.zurn.com

In Canada: ZURN INDUSTRIES LIMITED ♦ 3544 Nashua Drive ♦ Mississauga, Ontario L4V1L2 ♦ Phone: 905405-8272 Fax: 905405-1292