

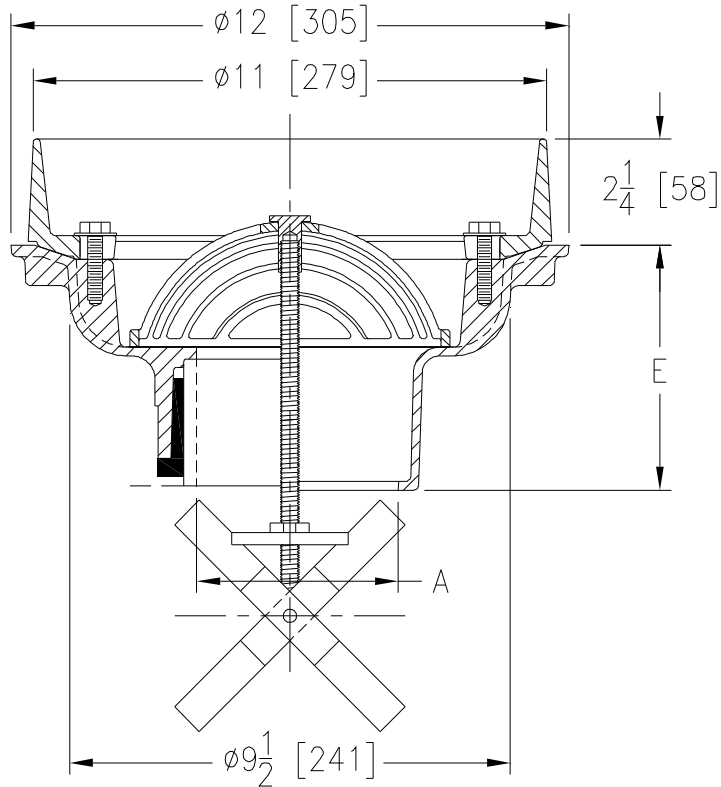


# Z122-76 12 [305] DIAMETER DECK RECEPTOR DRAIN WITH VANDAL-PROOF DOME

SPECIFICATION SHEET

TAG \_\_\_\_\_

Dimensional Data (inches and [ mm ]) are Subject to Manufacturing Tolerances and Change Without Notice



A Pipe Size In.	Approx. Wt. Lbs. [kg]
3-4-6 [76-102-152]	29 [13]

**ENGINEERING SPECIFICATION: ZURN Z122-76**  
12 [305] Diameter deck receptor drain, Dura-Coated cast iron body with combination membrane flashing clamp/deck receptor frame and vandal-proof internal dome strainer.

**OPTIONS** (Check/specify appropriate options)

**PIPE SIZE**

- 3, 4, 6 [51, 76, 102, 152]
- 3, 4, 6 [51, 76, 102, 152]
- 3, 4, 6 [51, 76, 102, 152]
- 3, 4 [51, 76, 102]

(Specify size/type) **OUTLET**

- \_\_\_\_\_ IC Inside Caulk
- \_\_\_\_\_ IP Threaded
- \_\_\_\_\_ NH No-Hub
- \_\_\_\_\_ NL Neo-Loc

**E BODY HT. DIM.**

- 5 1/4 [133]
- 3 3/4 [95]
- 5 1/4 [133]
- 4 5/8 [117]

**PREFIXES**

- \_\_\_ Z D.C.C.I. Body with Collar\*

**SUFFIXES**

- \_\_\_ -AR Acid Resistant Epoxy Coated
- \_\_\_ -C Underdeck Clamp
- \_\_\_ -DP Top-Set® Deck Plate (Replaces both the -C and -R)
- \_\_\_ -E 2 [51] High Static Extension (Specify Ht.)
- \_\_\_ -EB Top-Set® Adjustable Extension Assembly
- \_\_\_ -G Galvanized Cast Iron
- \_\_\_ -R Roof Sump Receiver
- \_\_\_ -TC Neo-Loc Test Cap Gasket (3 [76] - 4 [102] NL Bottom Outlet Only)

<b>REV.</b>	<b>DATE: 11/2/07</b>	<b>C.N. NO. 97586</b>
<b>DWG. NO. P-15485 PRODUCT NO. Z122-76</b>		

\*REGULARLY FURNISHED UNLESS OTHERWISE SPECIFIED