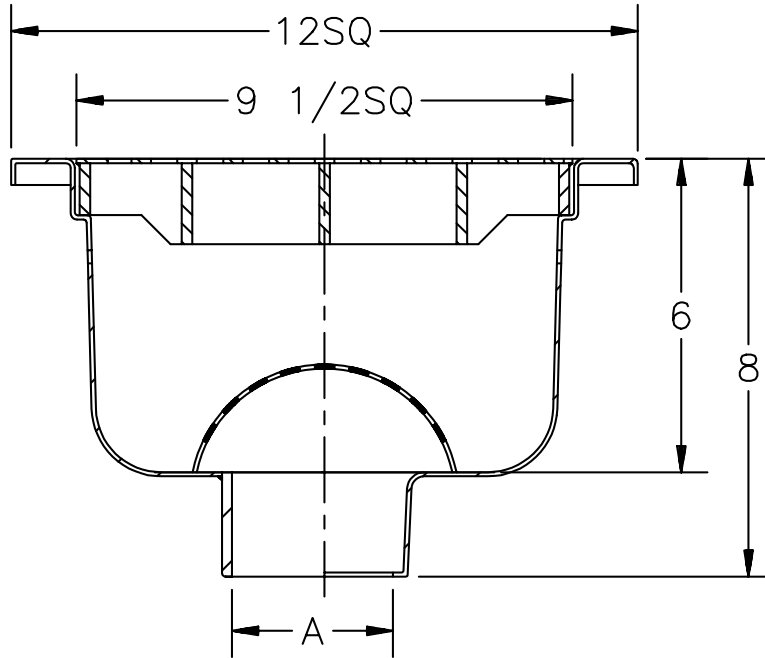




Z-1750-95
 12" x 12" SANI-FLOR
 RECEPTOR 6" Sump Depth

TAG _____

Dimensional Data (inches and [mm]) are Subject to Manufacturing Tolerances and Change Without Notice



A- Pipe Size In.	Approx. Wt. Lbs.	Grate Open Area Sq. In.
2-3-4	20	21

ENGINEERING SPECIFICATION: ZURN Z-1750-95
 12"x12"x6" deep, 14 gage, All Type 304 (CF8) Stainless Steel heavy duty Sani-Flor receptor with non-tilt, loose set full heavy duty grate with 1/2" square openings and anti-splash interior dome strainer.

OPTIONS (Check/specify appropriate options)

OUTLET (Specify type)

- IC** Inside Caulk
- NH** No-Hub

PIPE SIZE (Specify size)

- 3", 4"
- 2" thru 4"

PREFIXES

- Z-** Type 304 (CF8) Stainless Steel*

SUFFIXES

- AR** Acid Resisting Epoxy Coated Interior
- K** Seepage Pan
- KC** Seepage Pan with Clamp Collar
- P** 1/2" Trap Primer Connection
- Y** Sediment Bucket
- YS** Suspended Sediment Bucket
- 1** Less Grate
- 2** 1/2 Grate
- 3** 3/4 Grate
- 4** Full Grate with 3" Square Center Opening
- 5** Grate w/4" Dia. x 3-3/4" High 304 S.S. Funnel
- 8** Grate w/8-3/8 x 3-5/8 High 304 S.S. Oval Funnel
- 15** Solid Cover
- 16** 1/2 Solid Cover
- 17** 3/4 Solid Cover
- 18** Solid Cover w/3" Square Center Opening

REV.	DATE: 10/31/94	C.N. NO. 70376
DWG. NO. P-14087		PRODUCT NO. Z-1750-95

*REGULARLY FURNISHED UNLESS OTHERWISE SPECIFIED