

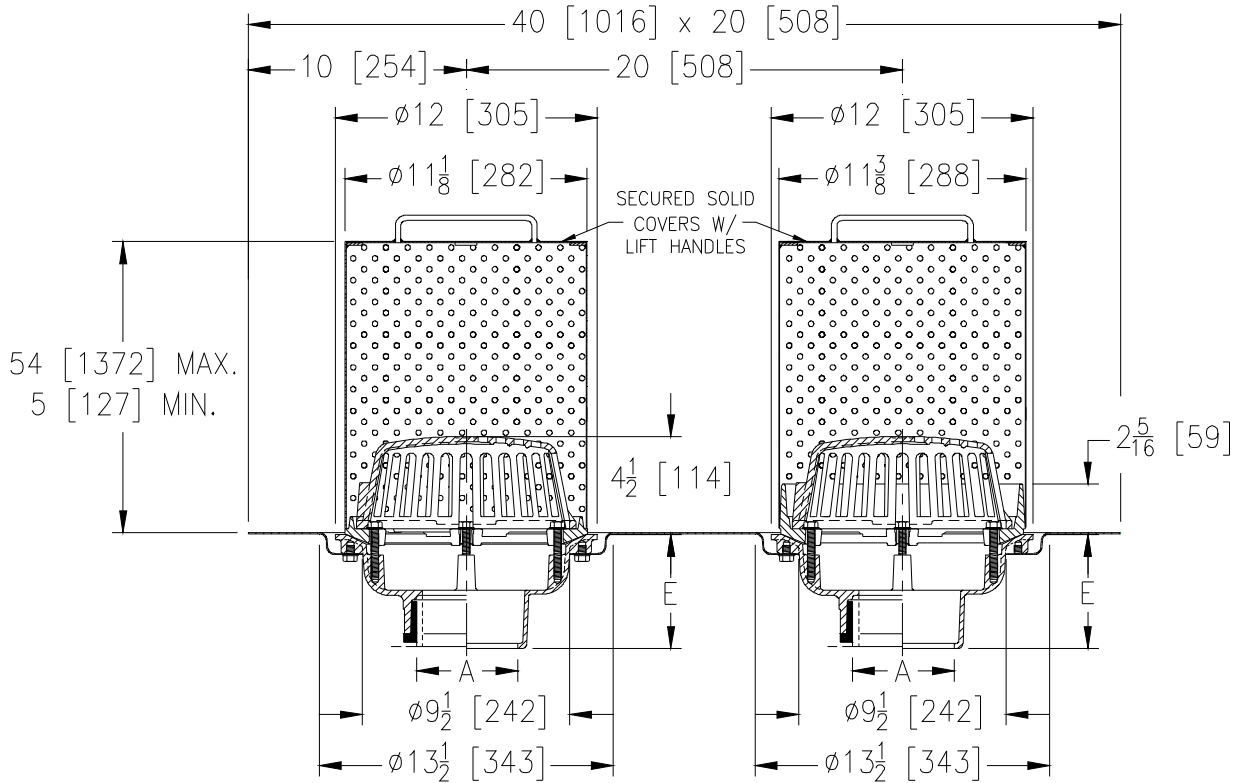


Z164-86

12 [305] DIAMETER COMBINATION MAIN ROOF AND OVERFLOW DRAIN W/ DOUBLE TOP-SET® DECK PLATE TAG _____ & PERFORATED SCREEN ASSEMBLIES

SPECIFICATION SHEET

Dimensional Data (inches and [mm]) are Subject to Manufacturing Tolerances and Change Without Notice



A Pipe Size In. [mm]	Approx. Wt. Lbs. [kg]	Dome Open Area Sq. In. [cm ²]
2,3,4,5,6 [51,76,102,127,152]	66 [30]	78 [503]

ENGINEERING SPECIFICATION: ZURNZ164-86

12" [305mm] Diameter roof drain and overflow drain, Dura-Coated cast iron bodies with combination membrane flashing clamp/gravel guards, double Top-Set® deck plate, and low silhouette cast iron domes. Complete with Type 304 (CF8) stainless steel, perforated screen assemblies with secured, removable covers with lift handles.

OPTIONS (Check/specify appropriate options)

PIPE SIZE

2,3,4,5,6 [51,76,102,127,152]
 2,3,4,5,6 [51,76,102,127,152]
 2,3,4,5,6 [51,76,102,127,152]
 2,3,4 [51,76,102]

(Specify size/type) OUTLET

_____ IC Inside Caulk
 _____ IP Threaded
 _____ NH No-Hub
 _____ NL Neo-Loc

E BODY HT. DIM.

5-1/4 [133]
 3-3/4 [95]
 5-1/4 [133]
 4-5/8 [117]

PREFIXES

___ Z D.C.C.I. Body with Dome (4-1/4 [108] Dome Height)*
 ___ ZA D.C.C.I. Body with Aluminum Dome (6-9/16 [167] Dome Height)
 ___ ZRB D.C.C.I. Body with Plain Bronze Dome (3-7/8 [98] Dome Height)

SUFFIXES

___ -AR Acid Resistant Epoxy Coated Finish
 ___ -E Static Extension 1 thru 4 [25 thru 102] (Specify Ht.)
 ___ -G Galvanized Cast Iron
 ___ -SC Secondary Clamping Collar
 ___ -TC Neo-Loc Test Cap Gasket (2,3,4 [51,76,102] NL Bottom Outlet Only)
 ___ -VP Vandal-Proof Secured Top
 ___ -XJ Vertical Expansion Joint (See Z190)
 ___ -85 Stainless Steel Perforated Extension

* Regularly furnished unless otherwise specified.