



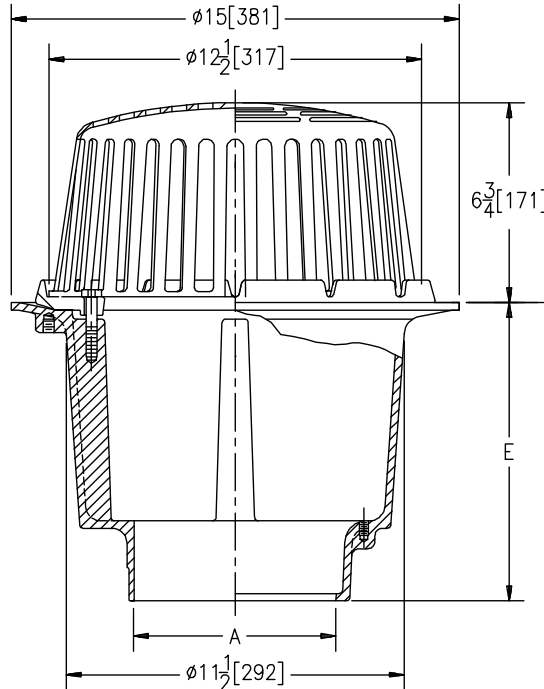
# Z104-HD

15 [381] DIAMETER DEEP SUMP ROOF DRAIN WITH  
6-3/4 [171] HIGH ALUMINUM DOME STRAINER

SPECIFICATION SHEET

TAG \_\_\_\_\_

Dimensional Data (inches and [ mm ]) are Subject to Manufacturing Tolerances and Change Without Notice



A- Pipe Size In. [mm]	Approx. Wt. Lbs. [kg]	Dome Open Area Sq. In. [cm <sup>2</sup> ]
3, 4 [76-102]	46 [21]	148 [955]
6, 8 [152, 203]		

### ENGINEERING SPECIFICATION: ZURN Z104-HD

15" [381mm] Diameter roof drain. Dura-Coated cast iron deep sump body with combination membrane flashing clamp/gravel guard and 6-3/4" [171mm] high aluminum dome.

**OPTIONS** (Check/specify appropriate options)

**PIPE SIZE**

3, 4, 6, 8 [76, 102, 152, 203]  
3, 4 [76, 102]

(Specify size/type) **OUTLET**

\_\_\_\_\_ NH No-Hub  
\_\_\_\_\_ NL Neo-Loc

**'E' BODY HT. DIM.**

10 [254]  
9-5/16 [236]

**PREFIXES**

\_\_\_ ZA D.C.C.I. Body with 6-3/4 [171] High Aluminum Dome\*

**SUFFIXES**

- |         |   |         |   |
|---------|---|---------|---|
| ___ -AC | Angular Underdeck Clamp                           | ___ -W2 | 2 [51] Internal Water Dam               |
| ___ -AR | Acid Resistant Epoxy Coated Finish                | ___ -W3 | 3 [76] Internal Water Dam               |
| ___ -C  | Underdeck Clamp                                   | ___ -W4 | 4 [102] Internal Water Dam              |
| ___ -DX | Dex-o-tex Flange                                  | ___ -84 | Stainless Steel Perforated Gravel Guard |
| ___ -E  | Static Extension 1 [25] thru 4 [102] (Specify Ht) | ___ -85 | Stainless Steel Perforated Extension    |
| ___ -EA | Adjustable Extension Assembly                     | ___ -89 | 2 [51] High External Water Dam          |
| ___ -G  | Galvanized Cast Iron                              |         |   |
| ___ -R  | Roof Sump Receiver                                |         |   |
| ___ -SC | Secondary Clamping Collar                         |         |   |
| ___ -SS | Stainless Steel Mesh Screen Over Dome             |         |   |
| ___ -VP | Vandal Proof Secured Top                          |         |   |

\* Regularly furnished unless otherwise specified.