



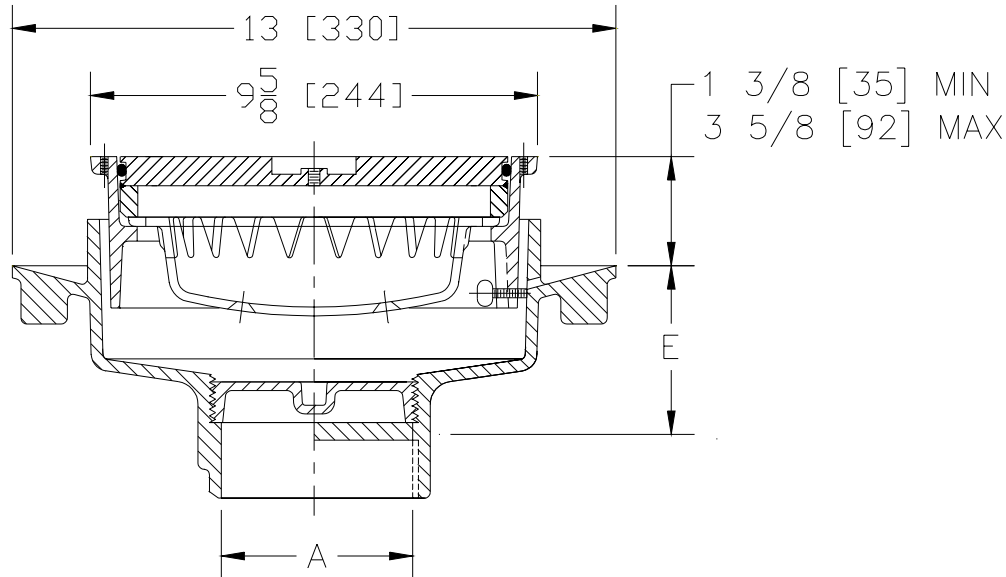
# Z-1732-77

## ADJUSTABLE FLOOR DRAIN

SPECIFICATION SHEET

TAG \_\_\_\_\_

Dimensional Data (inches and [ mm ]) are Subject to Manufacturing Tolerances and Change Without Notice



A- Pipe Size In.	Approx. Wt. Lbs. [kg]
2-3-4-6 [50-75-100-150]	40 [18]

**ENGINEERING SPECIFICATION: ZURN Z-1732-77**

All Type 304 (CF8) stainless steel adjustable floor drain with integral anchor flange, adjustable top frame for deep flange, heavy duty solid gasketed cover with lift ring, sediment bucket and closure plug with plain finish.

**OPTIONS** (Check/specify appropriate options)

PIPE SIZE	(Specify size/type) OUTLET	'E' BODY HT. DIM.
2, 3, 4 [50, 75, 100]	___ BW Butt-weld (Specify Schedule 10, 40 or 80)	5 [127]
6 [150]	___ BW Butt-weld (Specify Schedule 10, 40 or 80)	5 3/8 [137]
3, 4 [50, 75]	___ IC Inside Caulk	5 1/4 [133]
2, 3, 4 [50, 75, 100]	___ NH No-Hub	5 [127]
6 [150]	___ NH No-Hub	5 [127]
2, 3, 4 [50, 75, 100]	___ IP Threaded	5 [127]
6 [150]	___ IP Threaded	5 3/8 [137]

**PREFIXES**

- \_\_\_ Z- Type 304 (CF8) Stainless Steel Body\*
- \_\_\_ ZC- Type A-27 Carbon Steel Body (P.O.A.)
- \_\_\_ ZM- Type 316 (CF8M) Stainless Steel Body

**SUFFIXES**

- \_\_\_ -E Frame Extension Over 3 5/8 [92]
- \_\_\_ -K Seepage Pan and/or Seepage Holes Only
- \_\_\_ -KC Clamp Collar With Seepage Holes
- \_\_\_ -TS Top Secured With Slotted Screws
- \_\_\_ -30 Bronze Closure Plug\*\*
- \_\_\_ -31 Plastic Closure Plug\*\*
- \_\_\_ -34 Bronze Closure Plug with 3/4 [19] Test Plug\*\*

\*\*NOT AVAILABLE FOR I.C. CONNECTIONS  
\*REGULARLY FURNISHED UNLESS OTHERWISE SPECIFIED

REV.	DATE: 3/18/99	C.N. NO. 82371
DWG. NO. P-14698		PRODUCT NO. Z-1732-77